

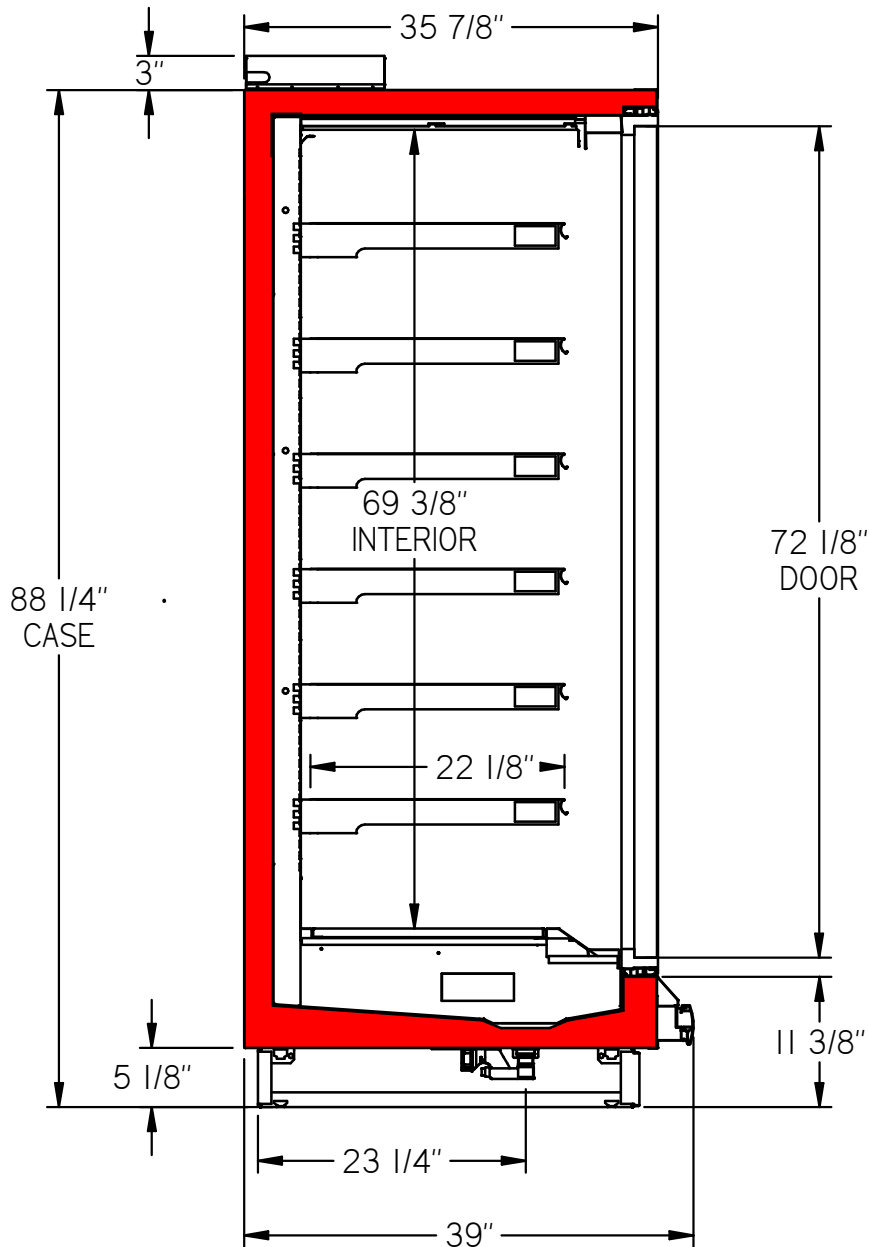


USA

BREMA 7

PAGE 1

SECTION VIEW FLAT CANOPY



BREMA 7

DATE: 7/10/2018

REV 02



Intertek
31690007



Intertek
31690007

ARNEG RESERVES THE RIGHT TO CHANGE OR REVISE SPECIFICATIONS AND PRODUCT DESIGN IN CONNECTION WITH ANY FEATURE OF ITS PRODUCTS. SUCH CHANGES DO NOT ENTITLE THE BUYER TO CORRESPONDING CHANGES, IMPROVEMENTS, ADDITIONS, OR REPLACEMENTS FOR EQUIPMENT PREVIOUSLY SOLD OR SHIPPED. CASE DESIGN CONDITION NOT TO EXCEED 75° F & 55% RH

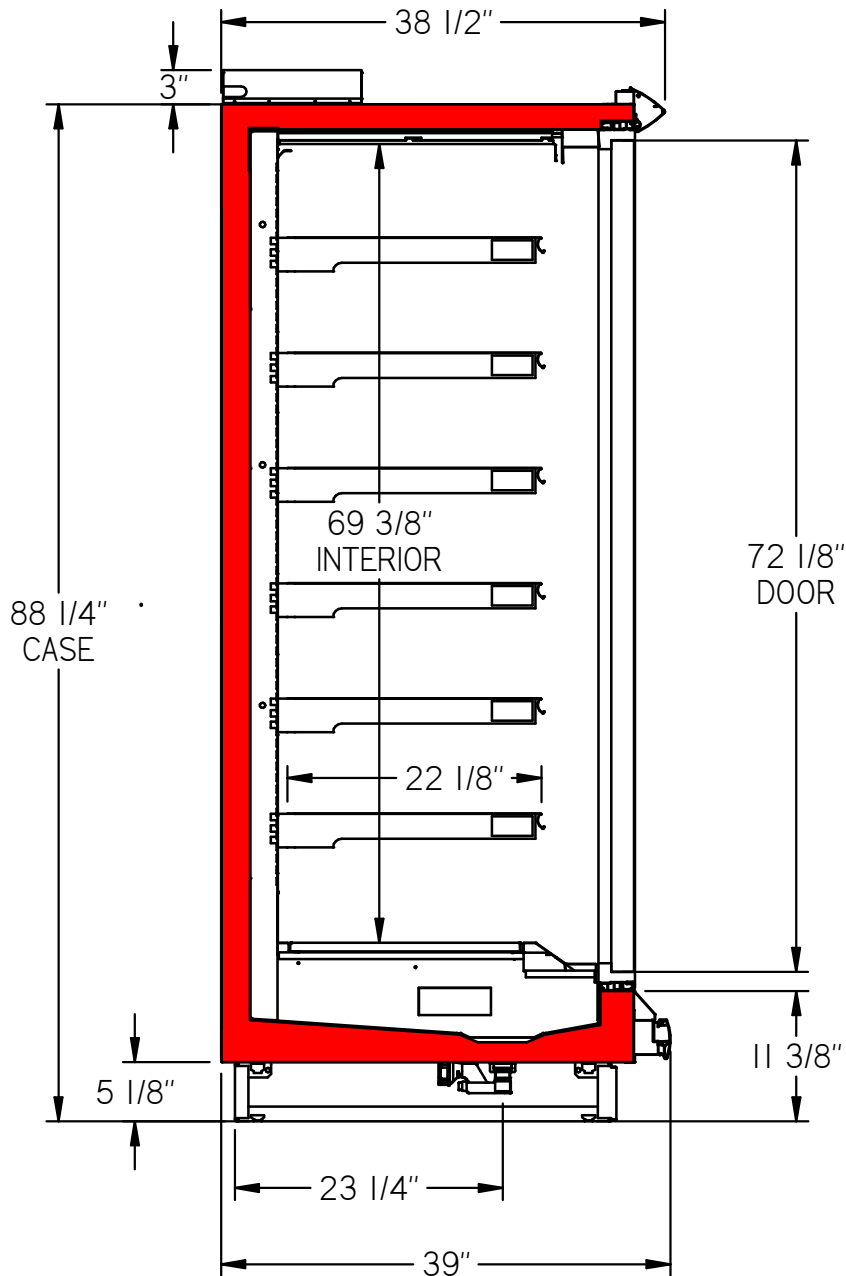


USA

BREMA 7

PAGE 2

SECTION VIEW SHARK NOSE CANOPY



BREMA 7

DATE: 7/10/2018

REV 02



Intertek
31690007

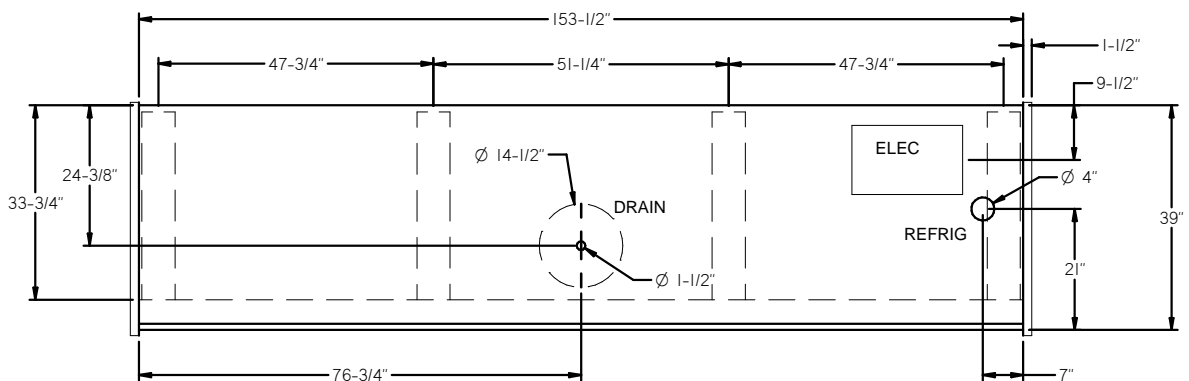
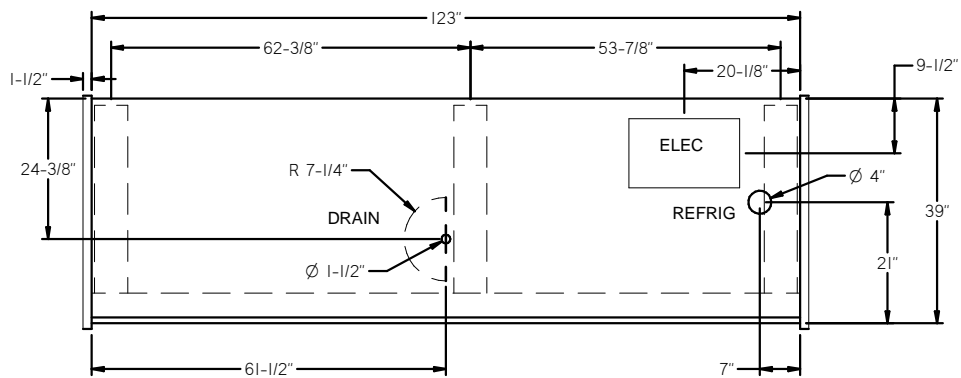
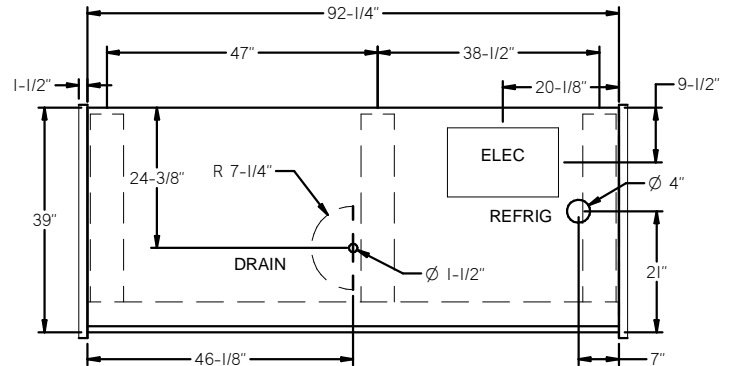
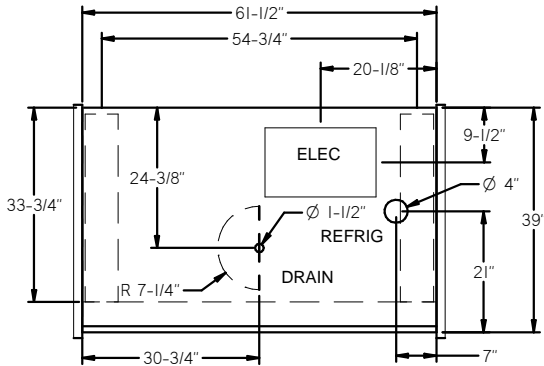


Intertek
31690007

ARNEG RESERVES THE RIGHT TO CHANGE OR REVISE SPECIFICATIONS AND PRODUCT DESIGN IN CONNECTION WITH ANY FEATURE OF ITS PRODUCTS. SUCH CHANGES DO NOT ENTITLE THE BUYER TO CORRESPONDING CHANGES, IMPROVEMENTS, ADDITIONS, OR REPLACEMENTS FOR EQUIPMENT PREVIOUSLY SOLD OR SHIPPED. CASE DESIGN CONDITION NOT TO EXCEED 75° F & 55% RH



USA



Intertek
31690007



Intertek
31690007

ARNEG RESERVES THE RIGHT TO CHANGE OR REVISE SPECIFICATIONS AND PRODUCT DESIGN IN CONNECTION WITH ANY FEATURE OF ITS PRODUCTS. SUCH CHANGES DO NOT ENTITLE THE BUYER TO CORRESPONDING CHANGES, IMPROVEMENTS, ADDITIONS, OR REPLACEMENTS FOR EQUIPMENT PREVIOUSLY SOLD OR SHIPPED. CASE DESIGN CONDITION NOT TO EXCEED 75° F & 55% RH



USA

Length	LED Lighting @ 120V			ECM Fans @ 120V		
	Quantity	Amps	Watts	Quantity	Amps	Watts
2 DR	2	0.34	41	2	0.08	9.2
3 DR	3	0.5	60	3	0.12	13.8
4 Dr	4	0.66	79	4	0.16	18.4
5 Dr	5	0.82	98	5	0.2	23

Frame Anti-Sweat @ 120V				
Length	Low Temperature			
	Anthony (ELM 2)		GDS (1200)	
	Amps	Watts	Amps	Watts
2 DR	1.62	194	1.71	205
3 DR	2.33	280	2.33	277
4 Dr	2.94	353	3.01	360
5 Dr	3.54	425	3.69	442

Defrost Heater @ 208V				Drain Heater @ 208V		
Length	Quantity	Amps	Watts	Quantity	Amps	Watts
2 DR	3	6.24	1302	1	0.37	76
3 DR	3	9.42	1959	1	0.56	116
4 Dr	3	12.57	2616	1	0.75	156
5 Dr	3	15.48	3219	1	0.92	192

Refrigeration Data						
Application	Parallel BTU/Door	Conv. BTU/Door	SST (°F)	Superheat (°F)	Discharge Temp (°F)	Velocity (FPM)
Frozen	1100	1140	-12	4-6°	-5	350
Ice Cream	1180	1230	-21	4-6°	-12	350

Defrost Settings				
Defrost Type	Defrost (Day)	Fail Safe (Min.)	Termination Temperature (°F)	Drip Time (Min)
Electric	1	55	50	3-5
Hot Gas	1	35	50	6-8

1. ArnegUSA refrigerated display cases for sale in the United States meet or exceed Department of Energy 2012 energy efficiency requirements.
2. Average Discharge Air Velocity measured five minutes after defrost.
3. Amps are taken from electrical nameplate values, watts are actual recorded values from laboratory measurements..
4. Termination sensor located on return bend of coil.
5. Termination sensor located on hot gas return line exiting coil between distributor and check valve.
6. Add 50 BTUs per door for GDS 1200 doors.



Intertek
31690007



Intertek
31690007

ARNEG RESERVES THE RIGHT TO CHANGE OR REVISE SPECIFICATIONS AND PRODUCT DESIGN IN CONNECTION WITH ANY FEATURE OF ITS PRODUCTS. SUCH CHANGES DO NOT ENTITLE THE BUYER TO CORRESPONDING CHANGES, IMPROVEMENTS, ADDITIONS, OR REPLACEMENTS FOR EQUIPMENT PREVIOUSLY SOLD OR SHIPPED. CASE DESIGN CONDITION NOT TO EXCEED 75° F & 55% RH