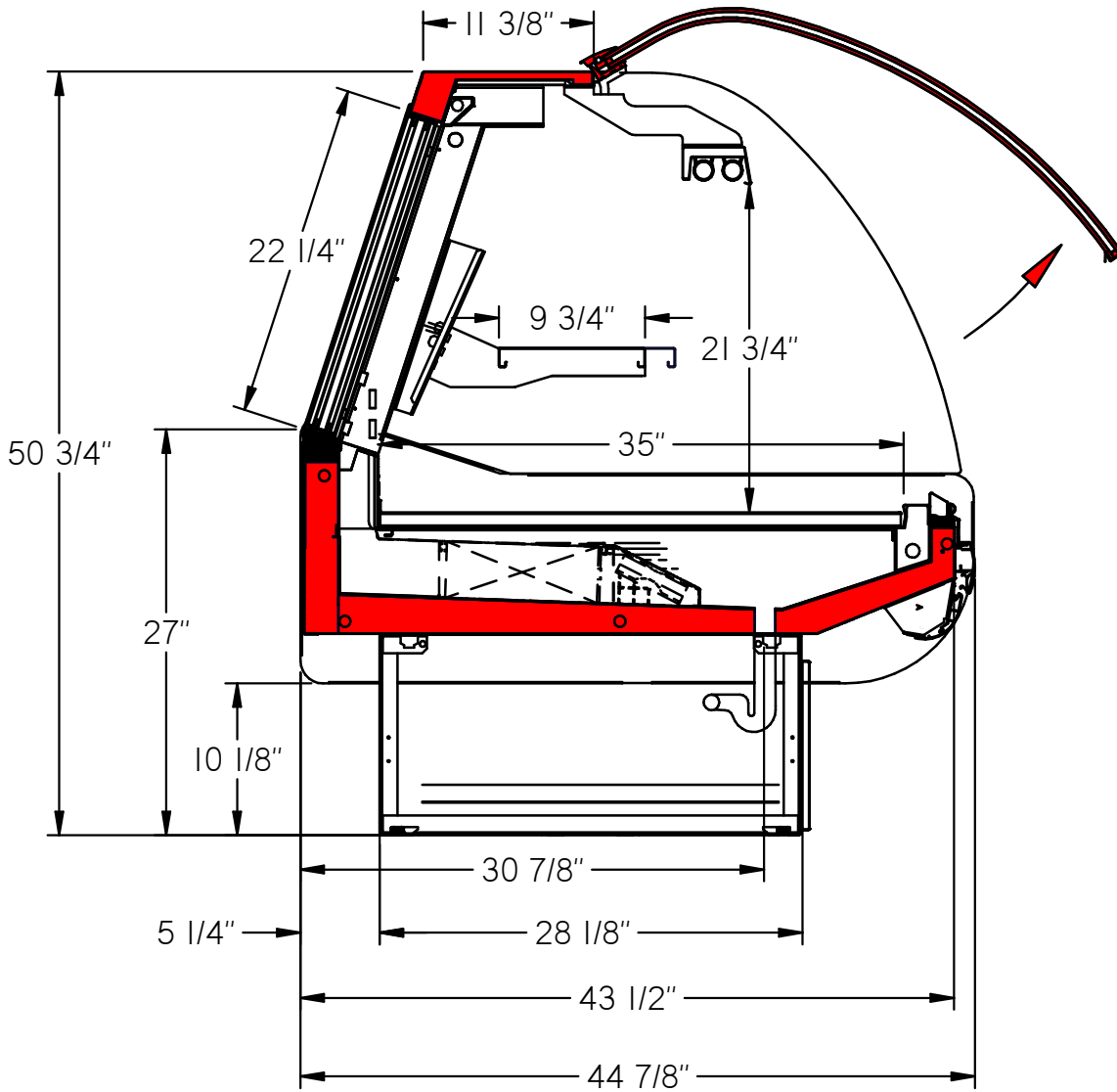




USA

# CHICAGO VENTILATED



CHICAGO

DATE: 9/18/2018

REV 0



**Intertek**  
31690007



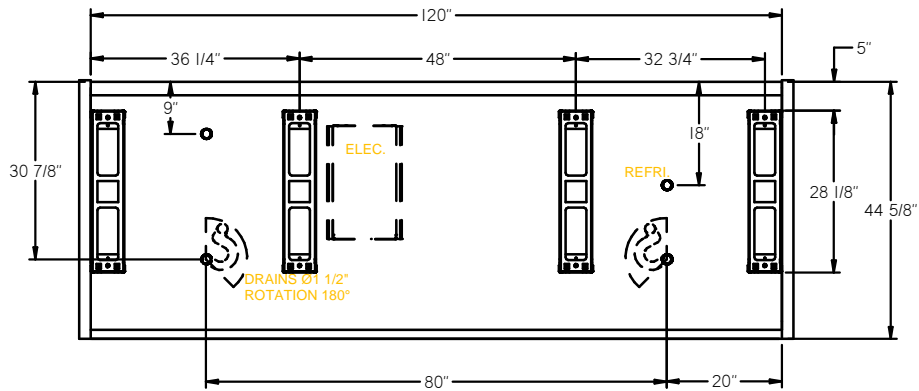
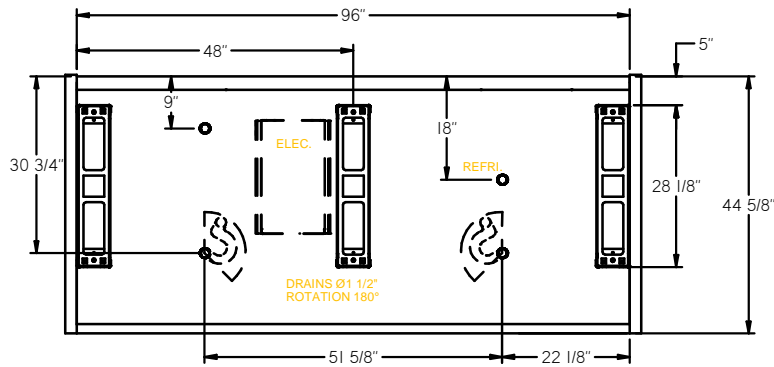
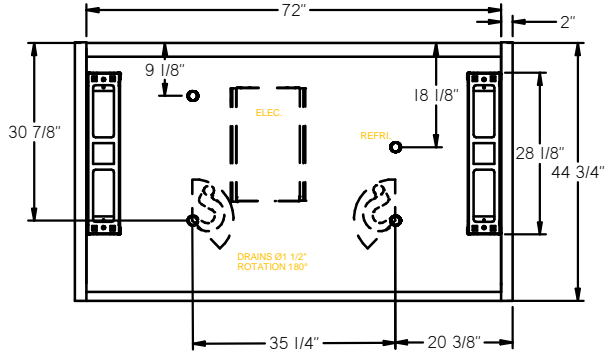
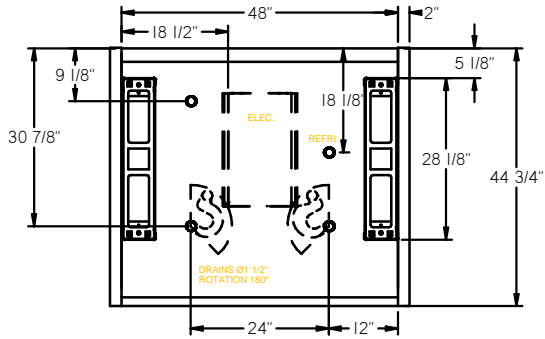
**Intertek**  
31690007

ARNEG RESERVES THE RIGHT TO CHANGE OR REVISE SPECIFICATIONS AND PRODUCT DESIGN IN CONNECTION WITH ANY FEATURE OF ITS PRODUCTS. SUCH CHANGES DO NOT ENTITLE THE BUYER TO CORRESPONDING CHANGES, IMPROVEMENTS, ADDITIONS, OR REPLACEMENTS FOR EQUIPMENT PREVIOUSLY SOLD OR SHIPPED. CASE DESIGN CONDITION NOT TO EXCEED 75° F & 55% RH



USA

CHICAGO VENTILATED



CHICAGO

DATE: 9/18/2018

REV 0



Intertek  
31690007



Intertek  
31690007

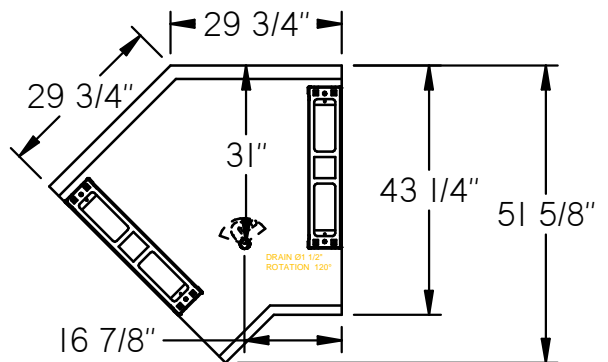
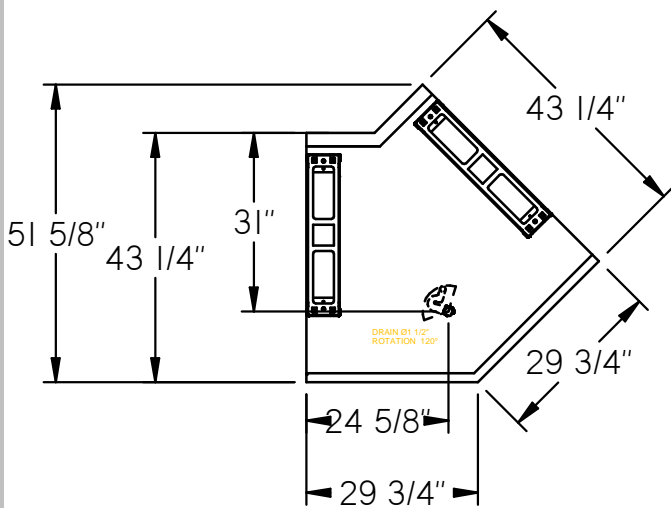
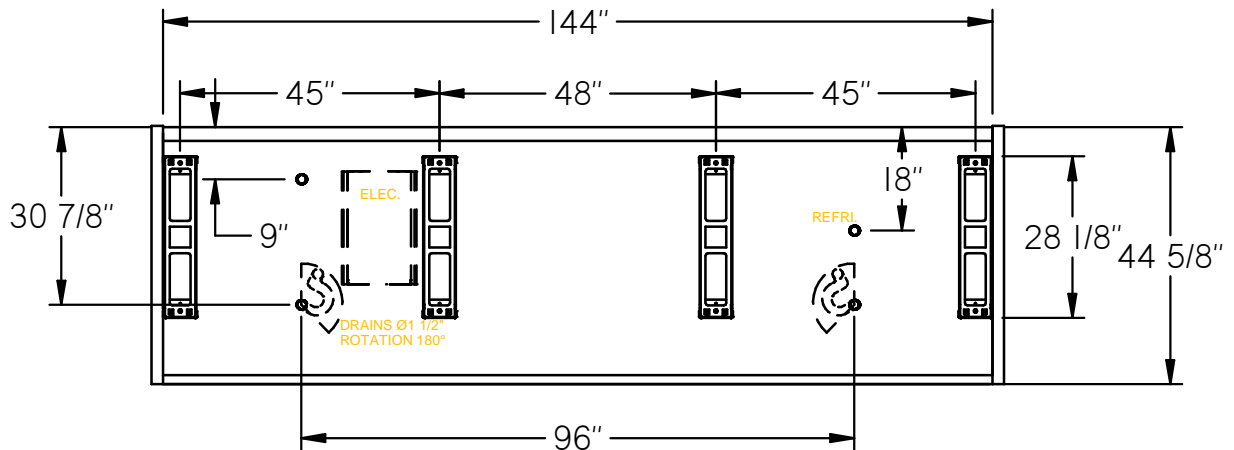
ARNEG RESERVES THE RIGHT TO CHANGE OR REVISE SPECIFICATIONS AND PRODUCT DESIGN IN CONNECTION WITH ANY FEATURE OF ITS PRODUCTS. SUCH CHANGES DO NOT ENTITLE THE BUYER TO CORRESPONDING CHANGES, IMPROVEMENTS, ADDITIONS, OR REPLACEMENTS FOR EQUIPMENT PREVIOUSLY SOLD OR SHIPPED. CASE DESIGN CONDITION NOT TO EXCEED 75° F & 55% RH



USA

CHICAGO VENTILATED

PAGE 3



CHICAGO

DATE: 9/18/2018

REV 0



Intertek  
31690007



Intertek  
31690007

ARNEG RESERVES THE RIGHT TO CHANGE OR REVISE SPECIFICATIONS AND PRODUCT DESIGN IN CONNECTION WITH ANY FEATURE OF ITS PRODUCTS. SUCH CHANGES DO NOT ENTITLE THE BUYER TO CORRESPONDING CHANGES, IMPROVEMENTS, ADDITIONS, OR REPLACEMENTS FOR EQUIPMENT PREVIOUSLY SOLD OR SHIPPED. CASE DESIGN CONDITION NOT TO EXCEED 75° F & 55% RH



USA

**Lighting Characteristics @ 120V**

Case Length	Fluorescent T8 Lighting (Per Row) Canopy or Row		LED Lighting per row					
	Amps	Watts	Shelving		(1 ROW) Canopy		(2 ROW) Canopy	
			Amps	Watts	Amps	Watts	Amps	Watts
4'	N/A	N/A	0.16	20	0.16	20	0.32	40
6'	N/A	N/A	0.26	30	0.26	30	0.52	60
8'	N/A	N/A	0.34	40	0.34	40	0.68	80
10'	N/A	N/A	0.42	50	0.42	50	0.84	100
12'	N/A	N/A	0.5	60	0.5	60	1	120

**Electrical Characteristics @ 120V**

Case Length	Fan Quantity	(ECM) Fan Motor		Anti-Condensate Heaters	
		Amps	Watts	Amps	Watts
4'	2	0.38	32	N/A	N/A
6'	3	0.57	48	N/A	N/A
8'	4	0.76	64	N/A	N/A
10'	5	0.95	80	N/A	N/A
12'	6	1.14	96	N/A	N/A

**Refrigeration Characteristics**

Front Height	BTUH/Ft		SST (°F)	SuperHeat (°F)	Discharge Air (°F)	Discharge Air Velocity (FPM)
	Parallel	Conv.				
STD	270	300	20	N/A	32	N/A
A45	1210	1331	20	N/A	32	N/A

**Defrost Settings**

Defrost Type	Defrosts (Day)	Fail Safe (Min.)	Termination Temperature (°F)	Drip Time (Min)
Off Cycle	3	45	N/A	N/A
Hot Gas	3	15	N/A	N/A

1. ArnegUSA refrigerated display cases for sale in the United States meet or exceed Department of Energy 2017 energy efficiency requirements.
2. Recommended Settings for Conventional Discharge Air Control: Cut-In Temp = Field Discharge Air +2°F, Cut-Out Temp = Field Discharge Air -2°F.
3. Average Discharge Air Velocity measure five minutes after defrost.
4. Listed evaporator temperature indicates unlighted shelves. For lighted shelves and/or aftermarket merchandising accessories, reduce the listed evaporator temperature by 2°F.
5. Amps are taken from electrical nameplate values, watts are actual recorded values from laboratory measurements.



**Intertek**  
31690007



**Intertek**  
31690007

ARNEG RESERVES THE RIGHT TO CHANGE OR REVISE SPECIFICATIONS AND PRODUCT DESIGN IN CONNECTION WITH ANY FEATURE OF ITS PRODUCTS. SUCH CHANGES DO NOT ENTITLE THE BUYER TO CORRESPONDING CHANGES, IMPROVEMENTS, ADDITIONS, OR REPLACEMENTS FOR EQUIPMENT PREVIOUSLY SOLD OR SHIPPED. CASE DESIGN CONDITION NOT TO EXCEED 75° F & 55% RH