

# Mini Malmoe

Open Islands ■ Remote



**arneg**

USA

[www.arnegusa.com](http://www.arnegusa.com)

## PRODUCT CATEGORIES

Pre-Packed Produce / Bakery / Cheese / Pre-Packed Fish / Delicatessen / Meat / Salami / Dairy / Ice Cream / Frozen Food

## FEATURES

Medium, Low, or Dual Temperature

Nominal Lengths: 6', 8', 12' (Does Not Include Ends or Island Head Cases. See: [arnegusa.com](http://arnegusa.com) for actual lengths)

13" Tall Side Glass

Black Kick Plate

Full Length Evaporator Coils Constructed with Copper Tubing and Aluminum Fins in a Proprietary Configuration that Increases Defrost Efficiency

Exclusive One Piece Foam Injection Process Increases Operating Efficiency and Maintains Consistent Temperatures Across an Exceptionally Strong Case

## OPTIONS

Exterior: Custom Color

Interior: Black or White Color

Available as Medium, Low, or Dual Temp

Bumpers and Handrails: Original Grey or Black

Suction Line Heat Exchanger

Thermometer: Drum or Digital

Led lighting

Dual Temperature Switch for Case Temperature Modulation

Head Case for Shop Around Island

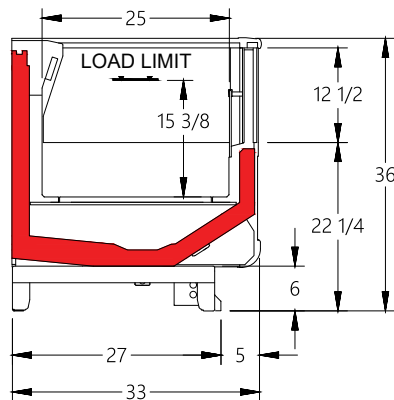
Hot Gas Defrost or Electric Defrost

Base Grids / Wire Dividers

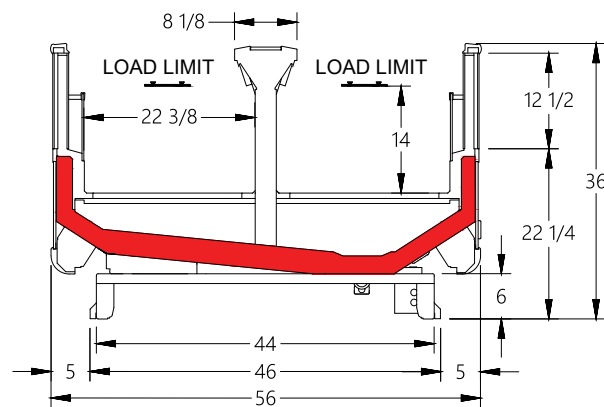
Manual Night Curtains

Stainless Steel Bumper Rail

Stainless Steel Basin (Available in Medium Temperature Only)



MINI MALMOE HEAD CASE



MINI MALMOE LINE-UP



LEARN MORE

ARNEG LLC - 750 Old Hargrave Road - 27295 Lexington, NC Phone: 336.956.5300 - Toll Free: 1.800.276.3487 - [arnegusa.com](http://arnegusa.com)  
Photos may illustrate non-standard options. Arneg USA reserves the right to modify and/or improve specifications without notice.



**arneg**

USA

[www.arnegusa.com](http://www.arnegusa.com)