
Madrid

Island Merchandiser ■ Remote



arneg

USA

www.arnegusa.com

PRODUCT CATEGORIES

Pre-Packed Produce / Bakery / Cheese / Pre-Packed Fish / Delicatessen / Dairy / Meat / Salami / Ice Cream / Frozen Food

FEATURES

Medium, Low or Dual Temperature

Nominal Lengths: 6', 8', 12' (see: arnegusa.com for actual lengths)

Black Kick Plate

Full Length Evaporator Coils Constructed with Copper Tubing and Aluminum Fins in a Proprietary Configuration that Increases Defrost Efficiency

Exclusive One Piece Foam Injection Process Increases Operating Efficiency and Maintains Consistent Temperatures Across an Exceptionally Strong Case

OPTIONS

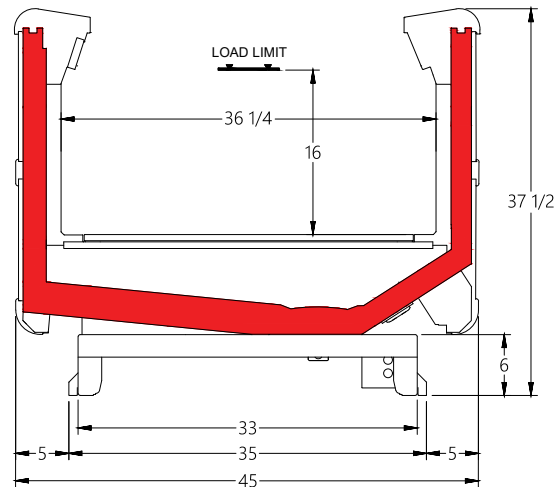
Exterior Color: Custom

Interior: Black or White Color / Stainless Steel

Available as Medium, Low, or Dual Temp

Bumpers and Handrails: Original Grey or Black

Digital Thermometer



MADRID



LEARN MORE

ARNEG LLC - 750 Old Hargrave Road - 27295 Lexington, NC Phone: 336.956.5300 - Toll Free: 1.800.276.3487 - arnegusa.com
Photos may illustrate non-standard options. Arneg USA reserves the right to modify and/or improve specifications without notice.



www.arnegusa.com



arneg

USA