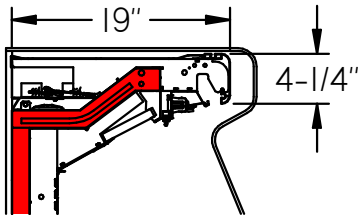




USA

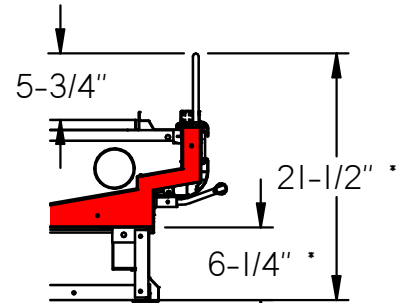
ALTONA 95/150

PAGE 1

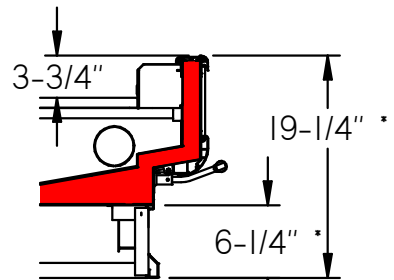


FLAT NOSE CANOPY

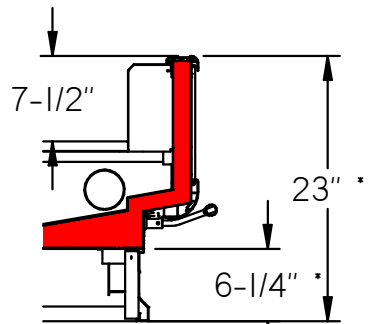
* SUBTRACT 2-1/4" WITH LOW LEG OPTION



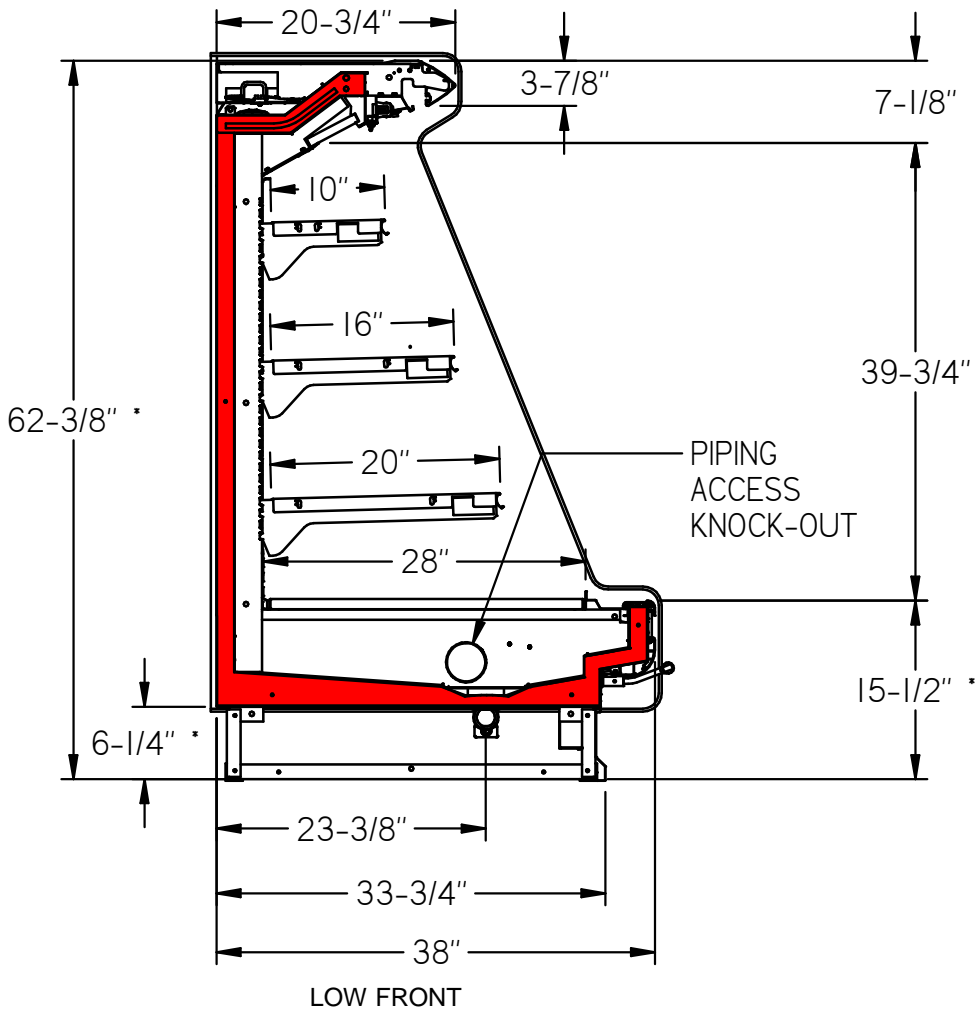
LOW FRONT W/ PLEXI



MEDIUM FRONT



HIGH FRONT



LOW FRONT

D2U00017

UPDATED: 05/04/2018

REV 01

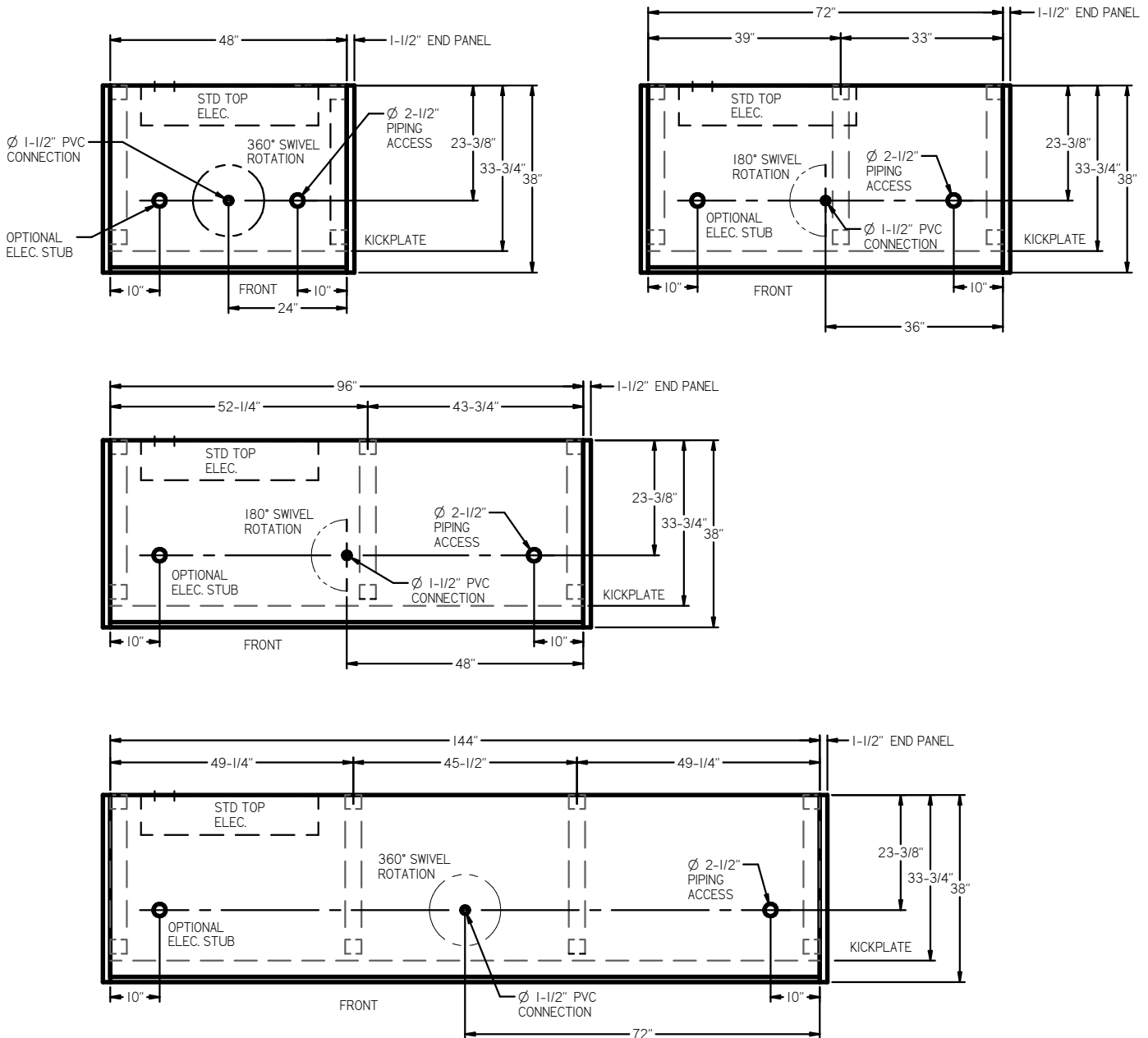


Intertek 31690007



Intertek 31690007

ARNEG RESERVES THE RIGHT TO CHANGE OR REVISE SPECIFICATIONS AND PRODUCT DESIGN IN CONNECTION WITH ANY FEATURE OF ITS PRODUCTS. SUCH CHANGES DO NOT ENTITLE THE BUYER TO CORRESPONDING CHANGES, IMPROVEMENTS, ADDITIONS, OR REPLACEMENTS FOR EQUIPMENT PREVIOUSLY SOLD OR SHIPPED. CASE DESIGN CONDITION NOT TO EXCEED 75° F & 55% RH



PIPING CONNECTIONS:

- STANDARD DX - SUCTION LINE = Ø 7/8", LIQUID LINE = Ø 3/8"
- CO2 - SUCTION LINE = Ø 1/2" (4FT, 6FT, 8FT) 5/8" (12FT), LIQUID LINE = Ø 3/8"

D2U00017

UPDATED: 05/04/2018

REV 01



Intertek
31690007



Intertek
31690007

ARNEG RESERVES THE RIGHT TO CHANGE OR REVISE SPECIFICATIONS AND PRODUCT DESIGN IN CONNECTION WITH ANY FEATURE OF ITS PRODUCTS. SUCH CHANGES DO NOT ENTITLE THE BUYER TO CORRESPONDING CHANGES, IMPROVEMENTS, ADDITIONS, OR REPLACEMENTS FOR EQUIPMENT PREVIOUSLY SOLD OR SHIPPED. CASE DESIGN CONDITION NOT TO EXCEED 75° F & 55% RH



USA

| Lighting Characteristics @ 120V | | | | | | | | | | | | | | | | |
|---------------------------------|---|-------|--------------------------------|-------|-----------------|-------|---------------|-------|------------------------------|-------|-----------------|-------|---------------|-------|------|-------|
| Case Length | Fluorescent T8 Lighting (Per Row) Canopy or Row | | Philips LED Lighting (Per Row) | | | | | | Arneg LED Lighting (Per Row) | | | | | | | |
| | | | Shelving | | Canopy (Normal) | | Canopy (Warm) | | Shelving | | Canopy (Normal) | | Canopy (Warm) | | | |
| | Amps | Watts | Amps | Watts | Amps | Watts | Amps | Watts | Amps | Watts | Amps | Watts | Amps | Watts | Amps | Watts |
| 4' | 0.27 | 32 | 0.08 | 10 | 0.08 | 10 | 0.08 | 10 | 0.08 | 10 | 0.08 | 10 | 0.08 | 10 | 0.08 | 10 |
| 6' | 0.42 | 50 | 0.13 | 16 | 0.13 | 16 | 0.13 | 16 | 0.13 | 16 | 0.13 | 16 | 0.13 | 16 | 0.13 | 16 |
| 8' | 0.53 | 64 | 0.17 | 20 | 0.17 | 20 | 0.17 | 20 | 0.17 | 20 | 0.17 | 20 | 0.17 | 20 | 0.17 | 20 |
| 12' | 0.8 | 96 | 0.25 | 30 | 0.25 | 30 | 0.25 | 30 | 0.25 | 30 | 0.25 | 30 | 0.25 | 30 | 0.25 | 30 |

| Electrical Characteristics @ 120V | | | | | | | |
|-----------------------------------|--------------|----------------------------|-------|-------|-------|-------------------------|-------|
| Case Length | Fan Quantity | High-Efficiency Fans (ECM) | | | | Anti-Condensate Heaters | |
| | | Meat | | Dairy | | | |
| | | Amps | Watts | Amps | Watts | Amps | Watts |
| 4' | 1 | 0.11 | 2.33 | 0.11 | 2.33 | N/A | N/A |
| 6' | 2 | 0.22 | 4.67 | 0.22 | 4.67 | N/A | N/A |
| 8' | 3 | 0.33 | 7 | 0.33 | 7 | N/A | N/A |
| 12' | 4 | 0.44 | 9.33 | 0.44 | 9.33 | N/A | N/A |

| Refrigeration Characteristics | | | | | | | |
|-------------------------------|------------------------|----------|-------|----------|----------------|--------------------|------------------------------|
| Front Height | Application | BTUH/Ft | | SST (°F) | SuperHeat (°F) | Discharge Air (°F) | Discharge Air Velocity (FPM) |
| | | Parallel | Conv. | | | | |
| Low | Meat | 940 | 1085 | 23 | 6-8 | 29 | 200 |
| Low | Dairy/Deli/Cut Produce | 885 | 950 | 26 | 6-8 | 32 | 200 |
| Low w/Plex | Meat | 890 | 1010 | 23 | 6-8 | 29 | 200 |
| Low w/Plex | Dairy/Deli/Cut Produce | 805 | 870 | 26 | 6-8 | 32 | 200 |
| Medium | Meat | 890 | 1010 | 23 | 6-8 | 29 | 200 |
| Medium | Dairy/Deli/Cut Produce | 805 | 870 | 26 | 6-8 | 32 | 200 |
| High | Meat | 865 | 970 | 23 | 6-8 | 29 | 200 |
| High | Dairy/Deli/Cut Produce | 775 | 840 | 26 | 6-8 | 32 | 200 |

| Defrost Settings | | | | |
|-------------------|----------------|------------------|------------------------------|-----------------|
| Defrost Type | Defrosts (Day) | Fail Safe (Min.) | Termination Temperature (°F) | Drip Time (Min) |
| Off Cycle / Dairy | 4 | 30 | 45°F | 0 |
| Off Cycle / Meat | 6 | 30 | 45°F | 0 |

Add 10 BTUH/Ft per row of LED shelf lighting.

Add 23 BTUH/Ft per row of T8 shelf lighting.

Add 10 BTUH/ Ft per row of additional LED canopy lighting

1. ArnegUSA refrigerated display cases for sale in the United States meet or exceed Department of Energy 2012 energy efficiency requirements.
2. Recommended Settings for Conventional Discharge Air Control: Cut-In Temp = Field Discharge Air +2°F, Cut-Out Temp = Field Discharge Air -2°F.
3. Average Discharge Air Velocity measure five minutes after defrost.
4. Listed evaporator temperature indicates unlighted shelves. For lighted shelves and/or aftermarket merchandising accessories, reduce the listed evaporator temperature by 2°F.
5. Amps are taken from electrical nameplate values, watts are actual recorded values from laboratory measurements.

D2U00017

UPDATED: 05/04/2018

REV 01



ARNEG RESERVES THE RIGHT TO CHANGE OR REVISE SPECIFICATIONS AND PRODUCT DESIGN IN CONNECTION WITH ANY FEATURE OF ITS PRODUCTS. SUCH CHANGES DO NOT ENTITLE THE BUYER TO CORRESPONDING CHANGES, IMPROVEMENTS, ADDITIONS, OR REPLACEMENTS FOR EQUIPMENT PREVIOUSLY SOLD OR SHIPPED. CASE DESIGN CONDITION NOT TO EXCEED 75° F & 55% RH