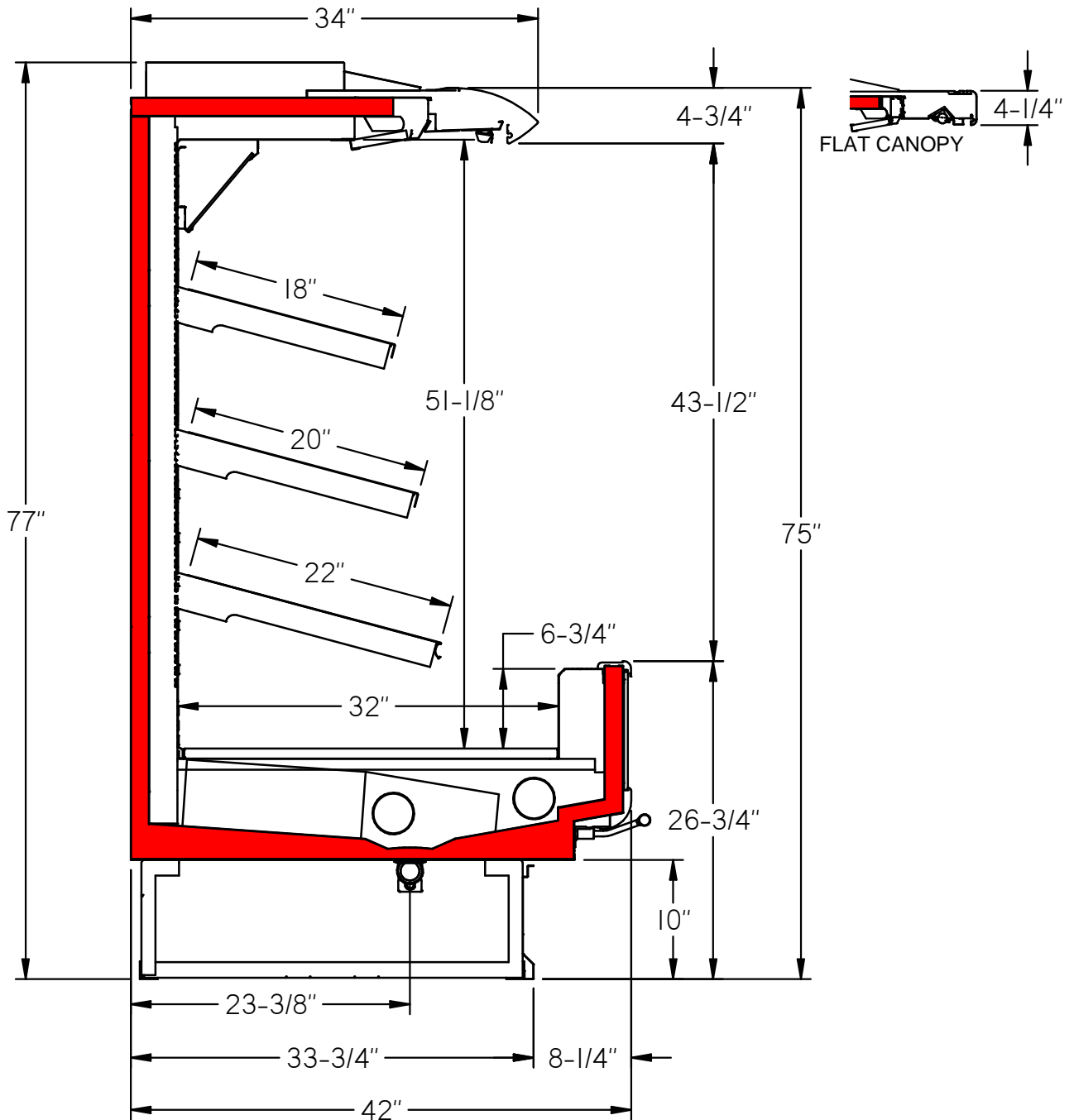




USA

MADISON 4

PAGE 1



D2U00055

UPDATED: 05/04/2018

REV 01

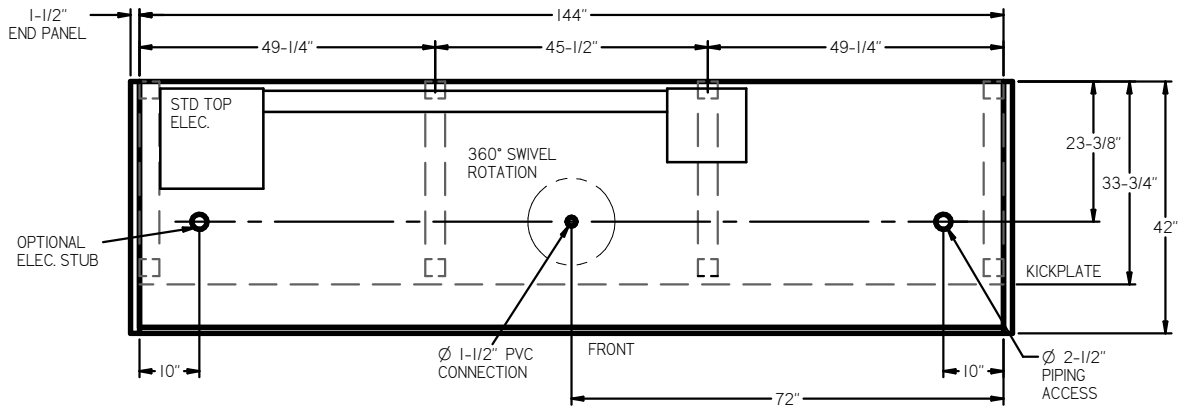
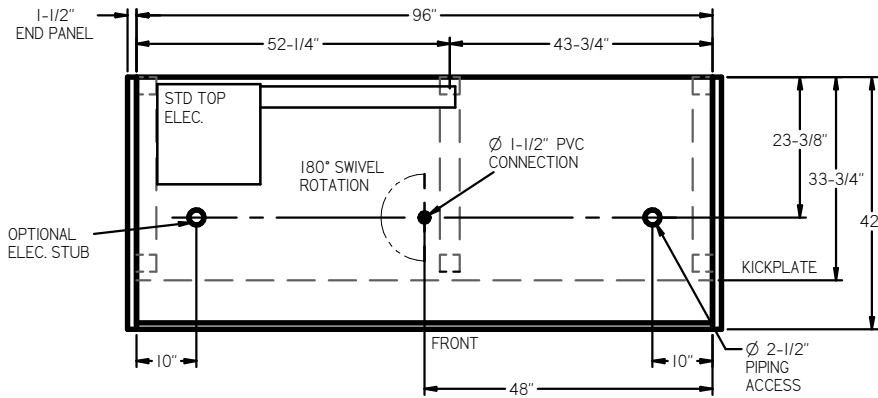
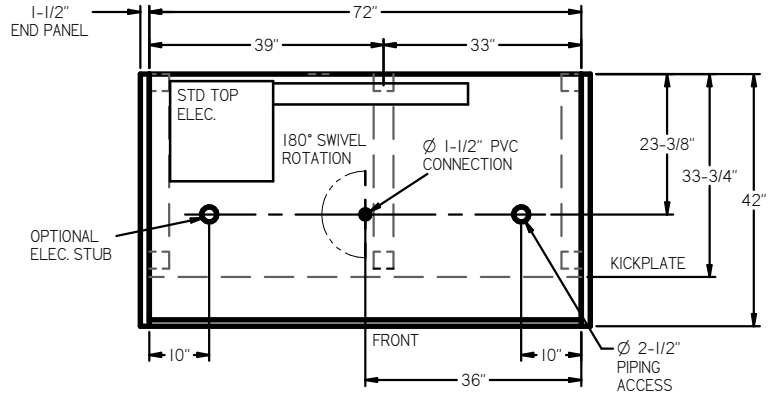
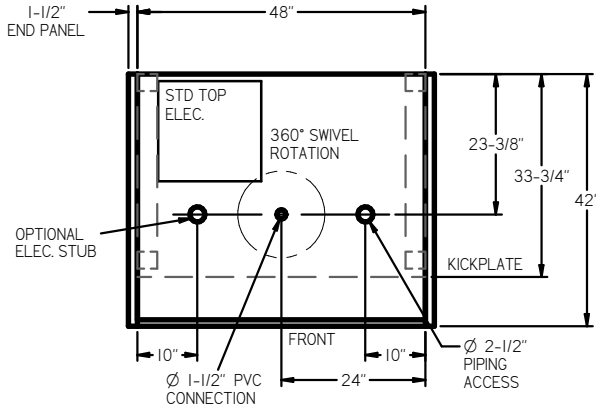


Intertek
31690007



Intertek
31690007

ARNEG RESERVES THE RIGHT TO CHANGE OR REVISE SPECIFICATIONS AND PRODUCT DESIGN IN CONNECTION WITH ANY FEATURE OF ITS PRODUCTS. SUCH CHANGES DO NOT ENTITLE THE BUYER TO CORRESPONDING CHANGES, IMPROVEMENTS, ADDITIONS, OR REPLACEMENTS FOR EQUIPMENT PREVIOUSLY SOLD OR SHIPPED. CASE DESIGN CONDITION NOT TO EXCEED 75° F & 55% RH



PIPING CONNECTIONS:

- STANDARD DX - SUCTION LINE = \varnothing 7/8", LIQUID LINE = \varnothing 3/8"
- CO2 - SUCTION LINE = \varnothing 1/2" (4FT, 6FT, 8FT) 5/8" (12FT), LIQUID LINE = \varnothing 3/8"

D2U00055

UPDATED: 05/04/2018

REV 01



ARNEG RESERVES THE RIGHT TO CHANGE OR REVISE SPECIFICATIONS AND PRODUCT DESIGN IN CONNECTION WITH ANY FEATURE OF ITS PRODUCTS. SUCH CHANGES DO NOT ENTITLE THE BUYER TO CORRESPONDING CHANGES, IMPROVEMENTS, ADDITIONS, OR REPLACEMENTS FOR EQUIPMENT PREVIOUSLY SOLD OR SHIPPED. CASE DESIGN CONDITION NOT TO EXCEED 75° F & 55% RH



USA

Lighting Characteristics @ 120V														
Case Length	Fluorescent T8 Lighting (Per Row) Canopy or Row		Philips LED Lighting (Per Row)						Arneg LED Lighting (Per Row)					
			Shelving		Canopy (Normal)		Canopy (Warm)		Shelving		Canopy (Normal)		Canopy (Warm)	
	Amps	Watts	Amps	Watts	Amps	Watts	Amps	Watts	Amps	Watts	Amps	Watts	Amps	Watts
4'	0.27	32	0.08	10	0.17	20	0.17	20	0.08	10	0.17	20	0.17	20
6'	0.42	50	0.13	16	0.25	30	0.25	30	0.13	16	0.25	30	0.25	30
8'	0.53	64	0.17	20	0.33	40	0.33	40	0.17	20	0.33	40	0.33	40
12'	0.8	96	0.25	30	0.5	60	0.5	60	0.25	30	0.5	60	0.5	60

Electrical Characteristics @ 120V							
Case Length	Fan Quantity	High-Efficiency Fans (ECM)				Anti-Condensate Heaters	
		Meat		Produce			
		Amps	Watts	Amps	Watts	Amps	Watts
4'	1	0.11	6	0.11	6	N/A	N/A
6'	2	0.22	12	0.22	12	N/A	N/A
8'	3	0.33	18	0.33	18	N/A	N/A
12'	4	0.44	24	0.44	24	N/A	N/A

Refrigeration Characteristics							
Front Height	Application	BTUH/Ft		SST (°F)	SuperHeat (°F)	Discharge Air (°F)	Discharge Air Velocity (FPM)
		Parallel	Conv.				
High	Meat	1280	1460	22	6-8	29	400
High	Cut Produce	1045	1092	32	6-8	37	400
High	Bulk Produce	980	1025	34	6-8	39	400

Defrost Settings				
Defrost Type	Defrosts (Day)	Fail Safe (Min.)	Termination Temperature (°F)	Drip Time (Min)
Off Cycle / Produce	6	18	48°F	0
Off Cycle / Meat	6	45	48°F	0

Add 10 BTUH/Ft per row of LED shelf lighting.

Add 23 BTUH/Ft per row of T8 shelf lighting.

Add 13 BTUH/ Ft per row of additional LED canopy lighting

1. ArnegUSA refrigerated display cases for sale in the United States meet or exceed Department of Energy 2012 energy efficiency requirements.
2. Recommended Settings for Conventional Discharge Air Control: Cut-In Temp = Field Discharge Air +2°F, Cut-Out Temp = Field Discharge Air -2°F.
3. Average Discharge Air Velocity measure five minutes after defrost.
4. Listed evaporator temperature indicates unlighted shelves. For lighted shelves and/or aftermarket merchandising accessories, reduce the listed evaporator temperature by 2°F.
5. Amps are taken from electrical nameplate values, watts are actual recorded values from laboratory measurements.

D2U00055

UPDATED: 05/04/2018

REV 01



ARNEG RESERVES THE RIGHT TO CHANGE OR REVISE SPECIFICATIONS AND PRODUCT DESIGN IN CONNECTION WITH ANY FEATURE OF ITS PRODUCTS. SUCH CHANGES DO NOT ENTITLE THE BUYER TO CORRESPONDING CHANGES, IMPROVEMENTS, ADDITIONS, OR REPLACEMENTS FOR EQUIPMENT PREVIOUSLY SOLD OR SHIPPED. CASE DESIGN CONDITION NOT TO EXCEED 75° F & 55% RH