
Santa Cruz

Semi Vertical Merchandiser ■ Remote



arneg

USA

www.arnegusa.com

PRODUCT CATEGORIES

Pre-Packed Produce / Produce

FEATURES

Medium Temperature

Nominal Lengths: 4', 6', 8', 12' (see: arnegusa.com for actual lengths)

Front and Side Kick Plate: Black with Louvers

Suction Line Heat Exchanger

Canopy Led Lighting

Full Length Evaporator Coils Constructed with Copper Tubing and Aluminum Fins in a Proprietary Configuration that Increases Defrost Efficiency

ECM Fan Motors

OPTIONS

Exterior: Custom Color / Interior: Black or White Color / Stainless Steel

Night Curtain: Manual

Bumpers and Handrails: Original Grey, Cool Grey or Black

Handrail Cap: Stainless Steel

End Panels: Square, Angle, Contour or Contour with Plexiglass Wing

Canopy Lighting: LED In 3000K or 4000K

Shelf Lighting: LED In 3000K or 4000K

Front and Side Kick-Plate: Custom Color or Stainless Steel / Available without Louvers

Thermometer: Drum or Digital Mounted in Ceiling or Sill

PTM Shelf: Black, White, or Silver / Front Sill: Black or Silver

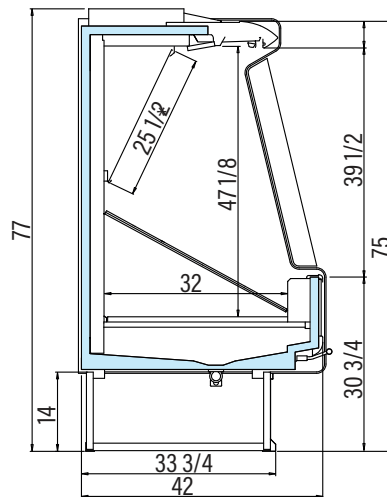
Shelf Plexiglass Stop: 1 1/4" or 3"

Canopy: Shark Nose or Flat

Stainless Steel Bumper

Sprayer Hose or Quick Disconnect for Produce Cases

Interior Ceiling Mirror: 8 1/2", 15 1/4", 25 1/2" Tall *



SANTA CRUZ



LEARN MORE

ARNEG LLC - 750 Old Hargrave Road - 27295 Lexington, NC Phone: 336.956.5300 - Toll Free: 1.800.276.3487 - arnegusa.com
Photos may illustrate non-standard options. Arneg USA reserves the right to modify and/or improve specifications without notice.



arneg

USA

www.arnegusa.com