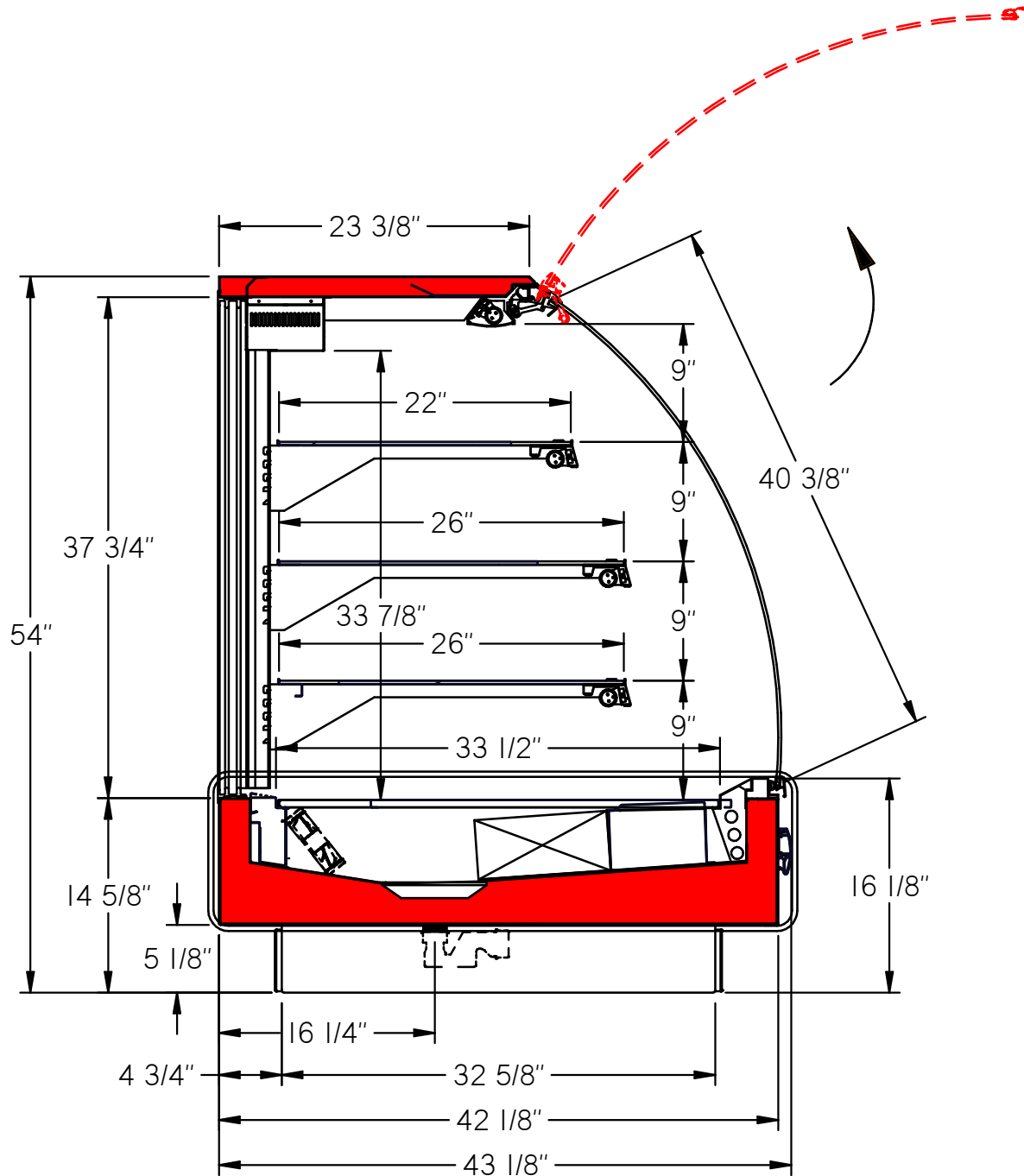




USA

ARIZONA HC

PAGE 1



D2U00108

UPDATED: 09/20/2018

REV 00

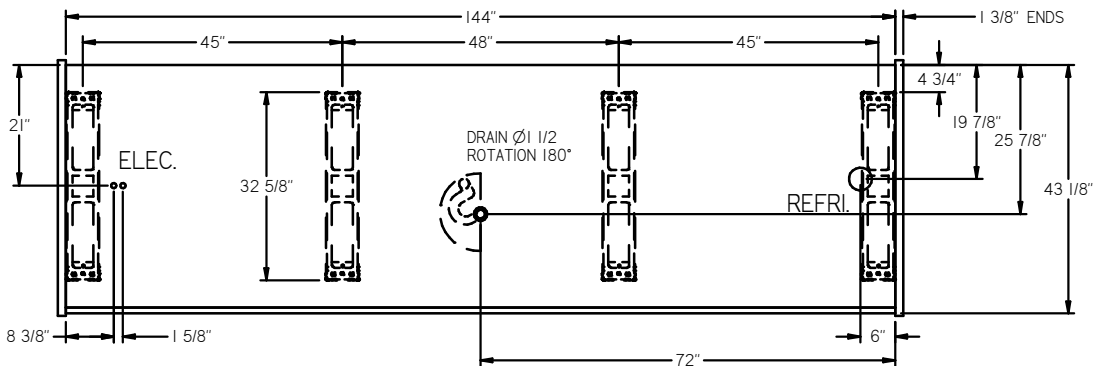
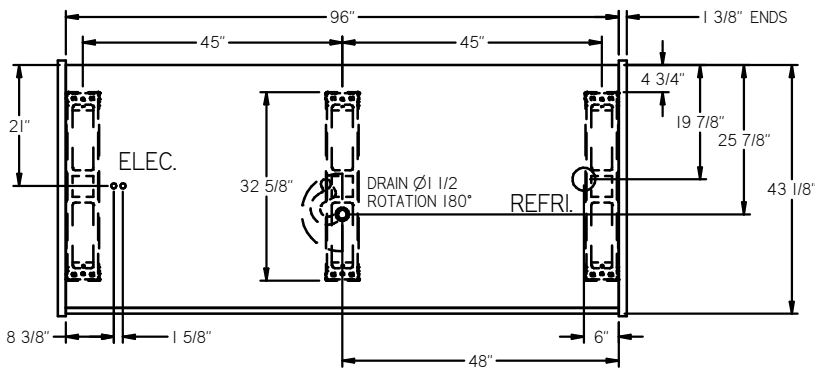
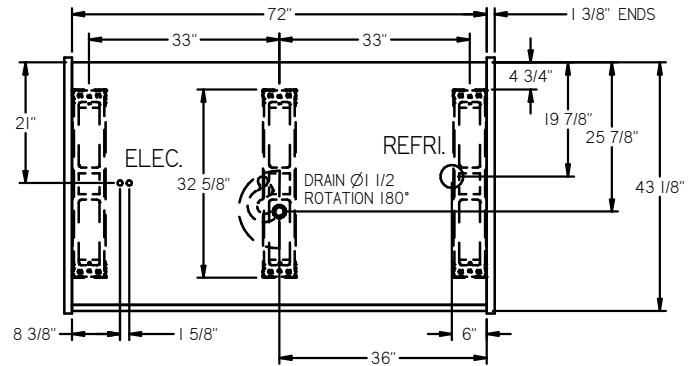
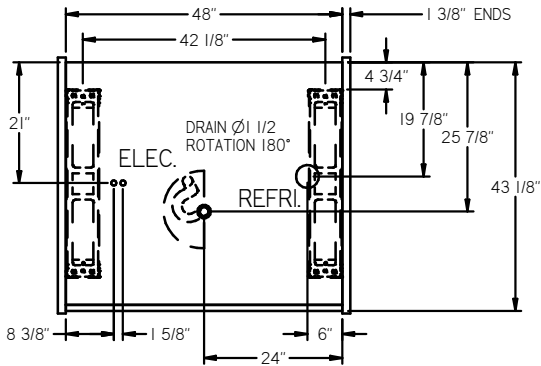


Intertek
31690007



Intertek
31690007

ARNEG RESERVES THE RIGHT TO CHANGE OR REVISE SPECIFICATIONS AND PRODUCT DESIGN IN CONNECTION WITH ANY FEATURE OF ITS PRODUCTS. SUCH CHANGES DO NOT ENTITLE THE BUYER TO CORRESPONDING CHANGES, IMPROVEMENTS, ADDITIONS, OR REPLACEMENTS FOR EQUIPMENT PREVIOUSLY SOLD OR SHIPPED. CASE DESIGN CONDITION NOT TO EXCEED 75° F & 55% RH



D2U00108

UPDATED: 09/20/2018

REV 00



Intertek
31690007



Intertek
31690007

ARNEG RESERVES THE RIGHT TO CHANGE OR REVISE SPECIFICATIONS AND PRODUCT DESIGN IN CONNECTION WITH ANY FEATURE OF ITS PRODUCTS. SUCH CHANGES DO NOT ENTITLE THE BUYER TO CORRESPONDING CHANGES, IMPROVEMENTS, ADDITIONS, OR REPLACEMENTS FOR EQUIPMENT PREVIOUSLY SOLD OR SHIPPED. CASE DESIGN CONDITION NOT TO EXCEED 75° F & 55% RH



USA

Lighting Characteristics @ 120V									
Case Length	Fluorescent T8 Lighting (Per Row) Canopy or Row		LED Lighting per row						
			Shelving		(1 ROW) Canopy		(2 ROW) Canopy		
	Amps	Watts	Amps	Watts	Amps	Watts	Amps	Watts	Watts
4'	N/A	N/A	0.08	10	0.16	20	0.32	40	
6'	N/A	N/A	0.12	15	0.24	30	0.48	60	
8'	N/A	N/A	0.16	20	0.32	40	0.64	80	
12'	N/A	N/A	0.24	30	0.48	60	0.96	120	

Electrical Characteristics @ 120V					
Case Length	Fan Quantity	(ECM) Fan Motor		Anti-Condensate Heaters	
		Amps	Watts	Amps	Watts
4'	4	0.56	48	N/A	N/A
6'	5	0.73	62	N/A	N/A
8'	6	0.97	78	N/A	N/A
12'	7	1.06	86	N/A	N/A

Refrigeration Characteristics						
Front Height	BTUH/Ft		SST (°F)	SuperHeat (°F)	Discharge Air (°F)	Discharge Air Velocity (FPM)
	Parallel	Conv.				
STD	520	600	20	N/A	34	N/A

Defrost Settings				
Defrost Type	Defrosts (Day)	Fail Safe (Min.)	Termination Temperature (°F)	Drip Time (Min)
Off Cycle	2	45	N/A	N/A
Hot Gas	2	15	N/A	N/A

1. ArnegUSA refrigerated display cases for sale in the United States meet or exceed Department of Energy 2017 energy efficiency requirements.
2. Recommended Settings for Conventional Discharge Air Control: Cut-In Temp = Field Discharge Air +2°F, Cut-Out Temp = Field Discharge Air -2°F.
3. Average Discharge Air Velocity measure five minutes after defrost.
4. Listed evaporator temperature indicates unlighted shelves. For lighted shelves and/or aftermarket merchandising accessories, reduce the listed evaporator temperature by 2°F.
5. Amps are taken from electrical nameplate values, watts are actual recorded values from laboratory measurements.

D2U00108

UPDATED: 09/20/2018

REV 00



ARNEG RESERVES THE RIGHT TO CHANGE OR REVISE SPECIFICATIONS AND PRODUCT DESIGN IN CONNECTION WITH ANY FEATURE OF ITS PRODUCTS. SUCH CHANGES DO NOT ENTITLE THE BUYER TO CORRESPONDING CHANGES, IMPROVEMENTS, ADDITIONS, OR REPLACEMENTS FOR EQUIPMENT PREVIOUSLY SOLD OR SHIPPED. CASE DESIGN CONDITION NOT TO EXCEED 75° F & 55% RH