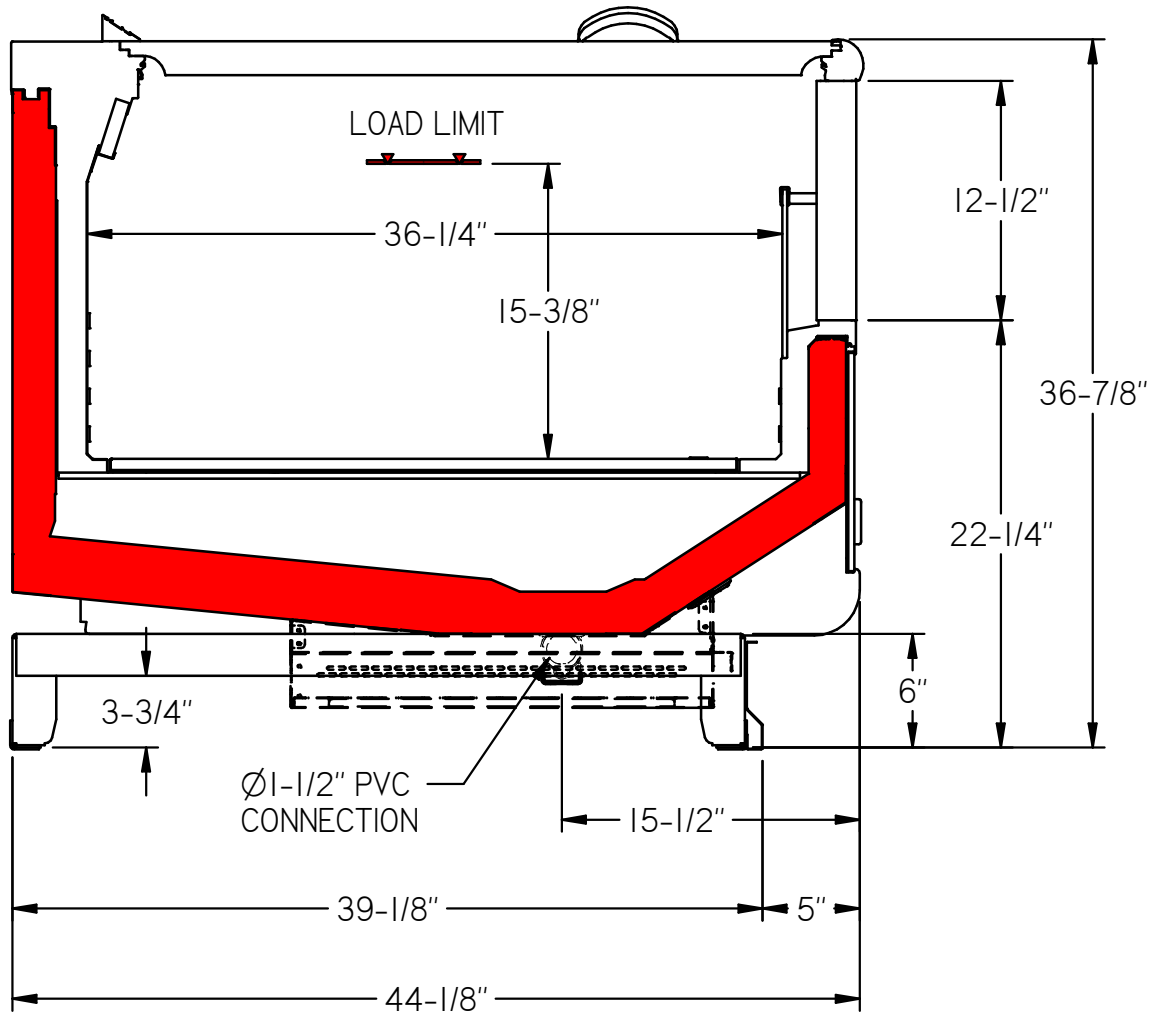




USA

ARKA G3

PAGE 1



D2U00022

UPDATED: 7/19/2018

REV 02

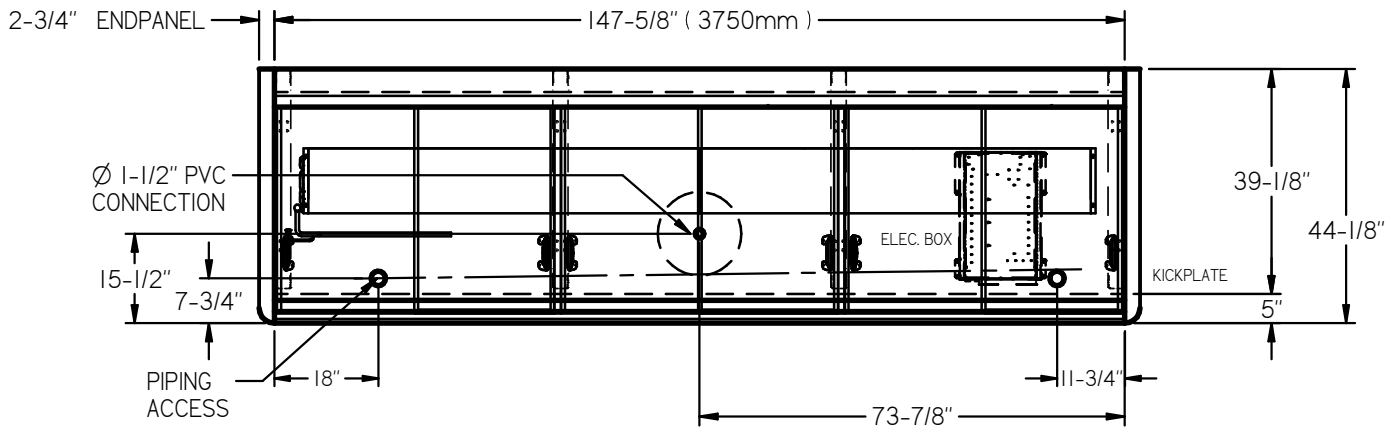
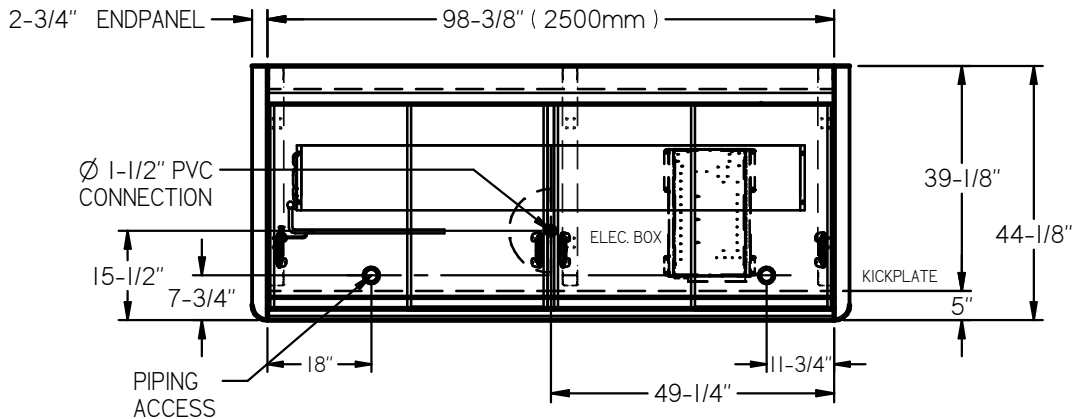
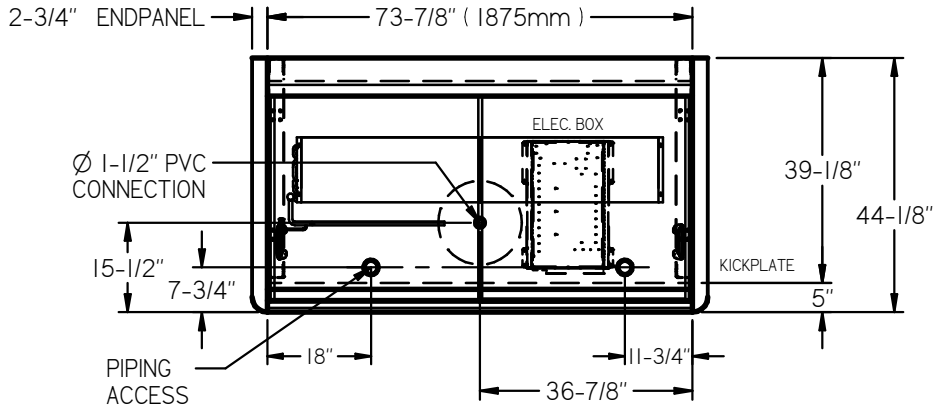


Intertek
31690007



Intertek
31690007

ARNEG RESERVES THE RIGHT TO CHANGE OR REVISE SPECIFICATIONS AND PRODUCT DESIGN IN CONNECTION WITH ANY FEATURE OF ITS PRODUCTS. SUCH CHANGES DO NOT ENTITLE THE BUYER TO CORRESPONDING CHANGES, IMPROVEMENTS, ADDITIONS, OR REPLACEMENTS FOR EQUIPMENT PREVIOUSLY SOLD OR SHIPPED. CASE DESIGN CONDITION NOT TO EXCEED 75° F & 55% RH



PIPING CONNECTIONS:

- STANDARD DX - SUCTION LINE = Ø 5/8", LIQUID LINE = Ø 3/8"
- CO2 - SUCTION LINE = Ø 1/2", LIQUID LINE = Ø 3/8"

D2U00022

UPDATED: 7/19/2018

REV 02



Intertek
31690007



Intertek
31690007

ARNEG RESERVES THE RIGHT TO CHANGE OR REVISE SPECIFICATIONS AND PRODUCT DESIGN IN CONNECTION WITH ANY FEATURE OF ITS PRODUCTS. SUCH CHANGES DO NOT ENTITLE THE BUYER TO CORRESPONDING CHANGES, IMPROVEMENTS, ADDITIONS, OR REPLACEMENTS FOR EQUIPMENT PREVIOUSLY SOLD OR SHIPPED. CASE DESIGN CONDITION NOT TO EXCEED 75° F & 55% RH



USA

ARKA G3

PAGE 3

Lighting Characteristics @ 120 Volts

Case Length	Fluorescent T8 Lighting (Per Row) Canopy or Row		Philips LED Lighting (Per Row)					
			Shelving		Canopy (Normal)		Hand Rail (Normal)	
	Amps	Watts	Amps	Watts	Amps	Watts	Amps	Watts
6.15 Ft /1875 mm	N/A	N/A	N/A	N/A	N/A	N/A	0.13	16
8.2 Ft /2500 mm	N/A	N/A	N/A	N/A	N/A	N/A	0.165	20
12.3 Ft /3750 mm	N/A	N/A	N/A	N/A	N/A	N/A	0.25	30

Electrical Characteristics @ 120 Volts

Case Length	Fan Quantity	High-Efficiency Fans (ECM)		Anti-Condensate Heaters (Low Temp)		Anti-Condensate Heaters Per Glass End (Low Temp)	
		Amps	Watts	Amps	Watts	Amps	Watts
		6.15 Ft /1875 mm	2	0.6	2	0.63	75.7
8.2 Ft /2500 mm	2	0.6	2	0.83	98.75	0.15	18.05
12.3 Ft /3750 mm	3	0.9	3	1.19	142.55	0.15	18.05

Defrost Heater Electrical Characteristics @ 208 Volts

Case Length	Coil Heater (Low Temp)		Drain Heater (Low Temp)	
	Amps	Watts	Amps	Watts
	6.15 Ft /1875 mm	5.61	1167	N/A
8.2 Ft /2500 mm	7.69	1599	N/A	N/A
12.3 Ft /3750 mm	11.79	2454	N/A	N/A

Refrigeration Characteristics

Application	BTUH/Ft		SST (°F)	SuperHeat (°F)	Discharge Air (°F)	Discharge Air Velocity (FPM)
	Parallel	Conv.				
Frozen	207	213	-17	4-6	-12	100
Ice Cream	236	242	-26	4-6	-21	100

Defrost Settings

Defrost Type	Defrosts (Day)	Fail Safe (Min.)	Termination Temperature (°F)	Drip Time (Min)
Electric	1	35	50°F	0
Hot Gas	1	20	50°F	15

Add 10 BTUH/Ft per row of hand rail lighting.

1. ArnegUSA refrigerated display cases for sale in the United States meet or exceed Department of Energy 2012 energy efficiency requirements.
2. Recommended Settings for Conventional Discharge Air Control: Cut-In Temp = Field Discharge Air +2°F, Cut-Out Temp = Field Discharge Air -2°F.
3. Average Discharge Air Velocity measure five minutes after defrost.
4. Amps are taken from electrical nameplate values, watts are actual recorded values from laboratory measurements.
5. Refrigeration and Electrical Data includes both sides of the case.

D2U00022

UPDATED: 7/19/2018

REV 02



Intertek
31690007



Intertek
31690007

ARNEG RESERVES THE RIGHT TO CHANGE OR REVISE SPECIFICATIONS AND PRODUCT DESIGN IN CONNECTION WITH ANY FEATURE OF ITS PRODUCTS. SUCH CHANGES DO NOT ENTITLE THE BUYER TO CORRESPONDING CHANGES, IMPROVEMENTS, ADDITIONS, OR REPLACEMENTS FOR EQUIPMENT PREVIOUSLY SOLD OR SHIPPED. CASE DESIGN CONDITION NOT TO EXCEED 75° F & 55% RH