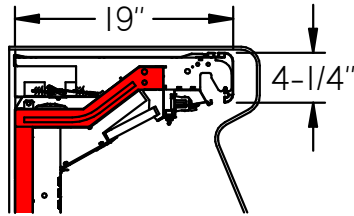




USA

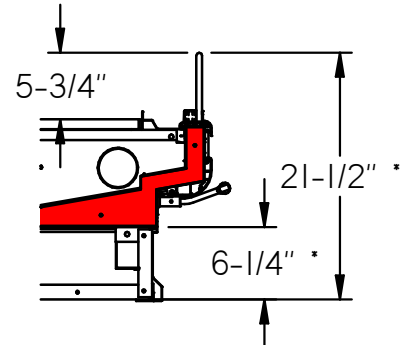
ALTONA 105/150

PAGE 1

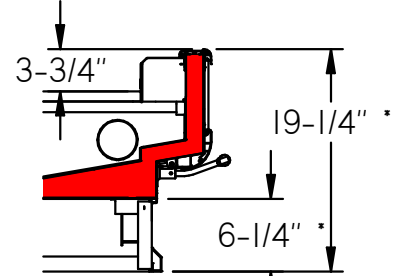


FLAT NOSE CANOPY

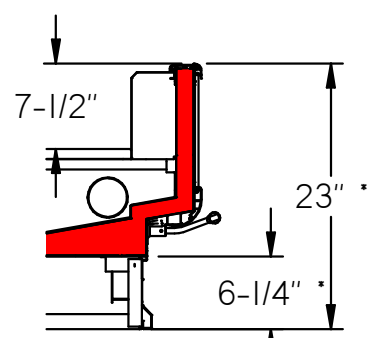
\* SUBTRACT 2-1/4" WITH LOW LEG OPTION



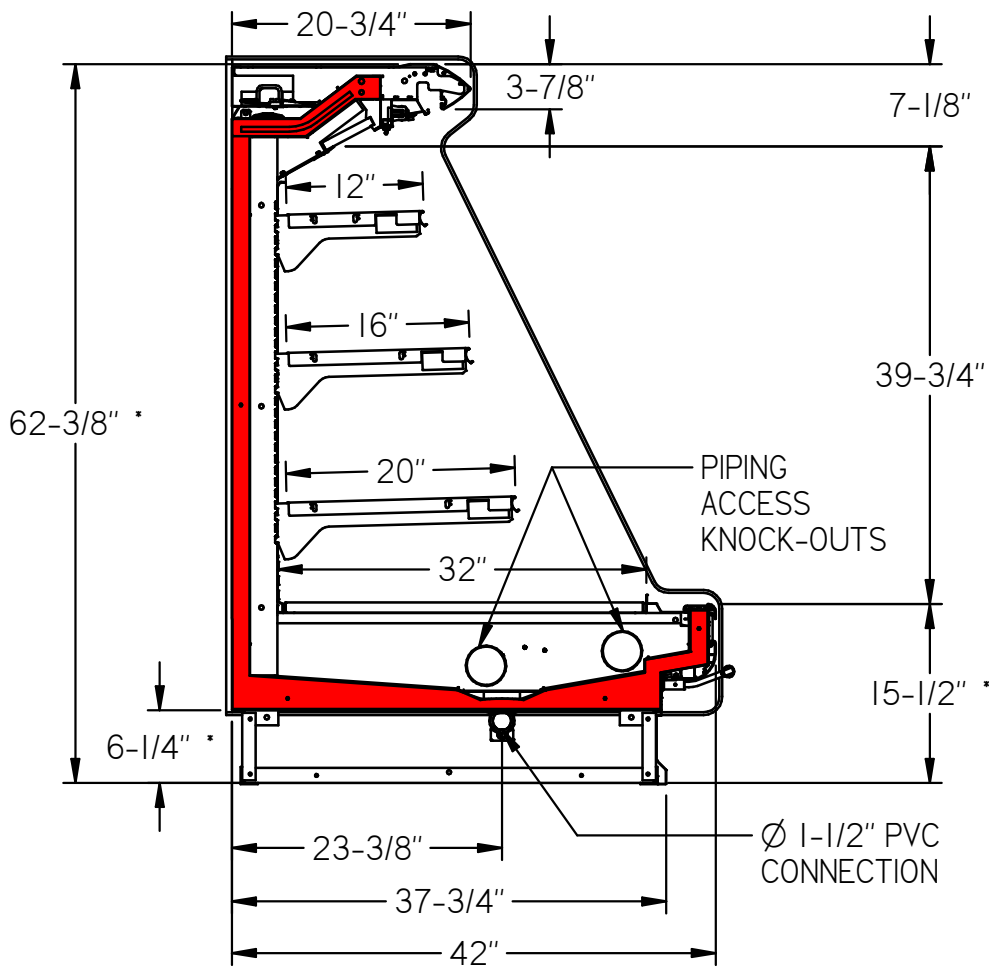
LOW FRONT W/ PLEXI



MEDIUM FRONT



HIGH FRONT



LOW FRONT

ALTONA 105/150

UPDATED: 05/04/2018

REV 01



Intertek 31690007

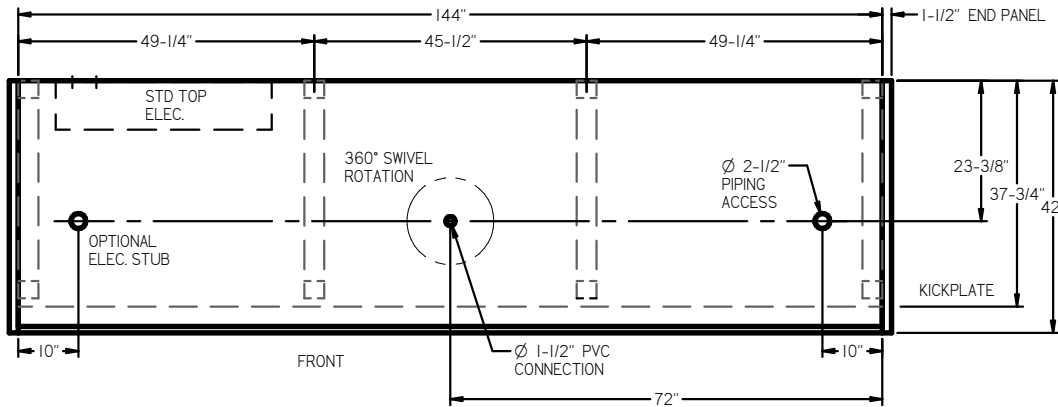
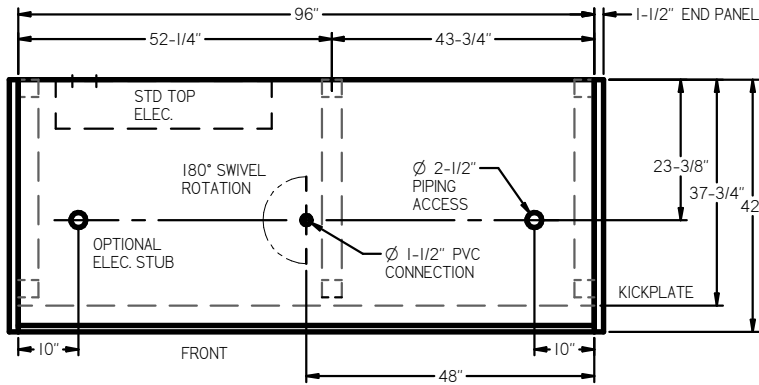
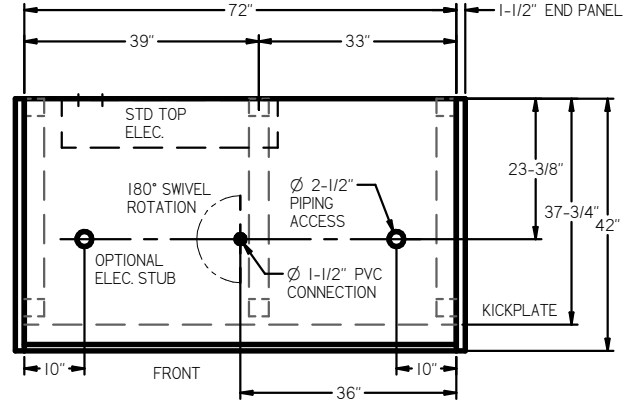
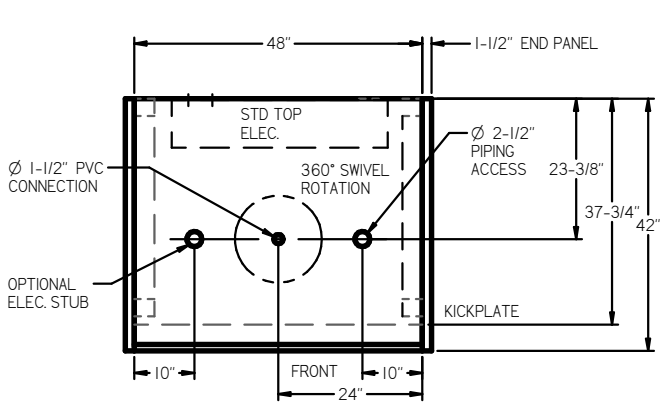


Intertek 31690007

ARNEG RESERVES THE RIGHT TO CHANGE OR REVISE SPECIFICATIONS AND PRODUCT DESIGN IN CONNECTION WITH ANY FEATURE OF ITS PRODUCTS. SUCH CHANGES DO NOT ENTITLE THE BUYER TO CORRESPONDING CHANGES, IMPROVEMENTS, ADDITIONS, OR REPLACEMENTS FOR EQUIPMENT PREVIOUSLY SOLD OR SHIPPED. CASE DESIGN CONDITION NOT TO EXCEED 75° F & 55% RH



USA



**PIPING CONNECTIONS:**

- STANDARD DX - SUCTION LINE =  $\varnothing$  7/8", LIQUID LINE =  $\varnothing$  3/8"
- CO2 - SUCTION LINE =  $\varnothing$  1/2" (4FT, 6FT, 8FT) 5/8" (12FT), LIQUID LINE =  $\varnothing$  3/8"



ARNEG RESERVES THE RIGHT TO CHANGE OR REVISE SPECIFICATIONS AND PRODUCT DESIGN IN CONNECTION WITH ANY FEATURE OF ITS PRODUCTS. SUCH CHANGES DO NOT ENTITLE THE BUYER TO CORRESPONDING CHANGES, IMPROVEMENTS, ADDITIONS, OR REPLACEMENTS FOR EQUIPMENT PREVIOUSLY SOLD OR SHIPPED. CASE DESIGN CONDITION NOT TO EXCEED 75° F & 55% RH



USA

Lighting Characteristics @ 120V																
Case Length	Fluorescent T8 Lighting (Per Row) Canopy or Row		Philips LED Lighting (Per Row)						Arneg LED Lighting (Per Row)							
			Shelving		Canopy (Normal)		Canopy (Warm)		Shelving		Canopy (Normal)		Canopy (Warm)			
	Amps	Watts	Amps	Watts	Amps	Watts	Amps	Watts	Amps	Watts	Amps	Watts	Amps	Watts	Amps	Watts
4'	0.27	32	0.08	10	0.08	10	0.08	10	0.08	10	0.08	10	0.08	10	0.08	10
6'	0.42	50	0.13	16	0.13	16	0.13	16	0.13	16	0.13	16	0.13	16	0.13	16
8'	0.53	64	0.17	20	0.17	20	0.17	20	0.17	20	0.17	20	0.17	20	0.17	20
12'	0.8	96	0.25	30	0.25	30	0.25	30	0.25	30	0.25	30	0.25	30	0.25	30

Electrical Characteristics @ 120V							
Case Length	Fan Quantity	High-Efficiency Fans (ECM)				Anti-Condensate Heaters	
		Meat		Dairy			
		Amps	Watts	Amps	Watts	Amps	Watts
4'	1	0.11	2.33	0.11	2.33	N/A	N/A
6'	2	0.22	4.67	0.22	4.67	N/A	N/A
8'	3	0.33	7	0.33	7	N/A	N/A
12'	4	0.44	9.33	0.44	9.33	N/A	N/A

Refrigeration Characteristics							
Front Height	Application	BTUH/Ft		SST (°F)	SuperHeat (°F)	Discharge Air (°F)	Discharge Air Velocity (FPM)
		Parallel	Conv.				
Low	Meat	965	1070	23	6-8	29	200
Low	Dairy/Deli/Cut Produce	915	980	26	6-8	32	200
Low w/Plex	Meat	915	1030	23	6-8	29	200
Low w/Plex	Dairy/Deli/Cut Produce	835	900	26	6-8	32	200
Medium	Meat	915	1030	23	6-8	29	200
Medium	Dairy/Deli/Cut Produce	835	900	26	6-8	32	200
High	Meat	890	1010	23	6-8	29	200
High	Dairy/Deli/Cut Produce	805	870	26	6-8	32	200

Defrost Settings				
Defrost Type	Defrosts (Day)	Fail Safe (Min.)	Termination Temperature (°F)	Drip Time (Min)
Off Cycle / Dairy	4	30	45°F	0
Off Cycle / Meat	6	30	45°F	0

Add 10 BTUH/Ft per row of LED shelf lighting.

Add 23 BTUH/Ft per row of T8 shelf lighting.

Add 10 BTUH/ Ft per row of additional LED canopy lighting

1. ArnegUSA refrigerated display cases for sale in the United States meet or exceed Department of Energy 2012 energy efficiency requirements.
2. Recommended Settings for Conventional Discharge Air Control: Cut-In Temp = Field Discharge Air +2°F, Cut-Out Temp = Field Discharge Air -2°F.
3. Average Discharge Air Velocity measure five minutes after defrost.
4. Listed evaporator temperature indicates unlighted shelves. For lighted shelves and/or aftermarket merchandising accessories, reduce the listed evaporator temperature by 2°F.
5. Amps are taken from electrical nameplate values, watts are actual recorded values from laboratory measurements.



ARNEG RESERVES THE RIGHT TO CHANGE OR REVISE SPECIFICATIONS AND PRODUCT DESIGN IN CONNECTION WITH ANY FEATURE OF ITS PRODUCTS. SUCH CHANGES DO NOT ENTITLE THE BUYER TO CORRESPONDING CHANGES, IMPROVEMENTS, ADDITIONS, OR REPLACEMENTS FOR EQUIPMENT PREVIOUSLY SOLD OR SHIPPED. CASE DESIGN CONDITION NOT TO EXCEED 75° F & 55% RH