

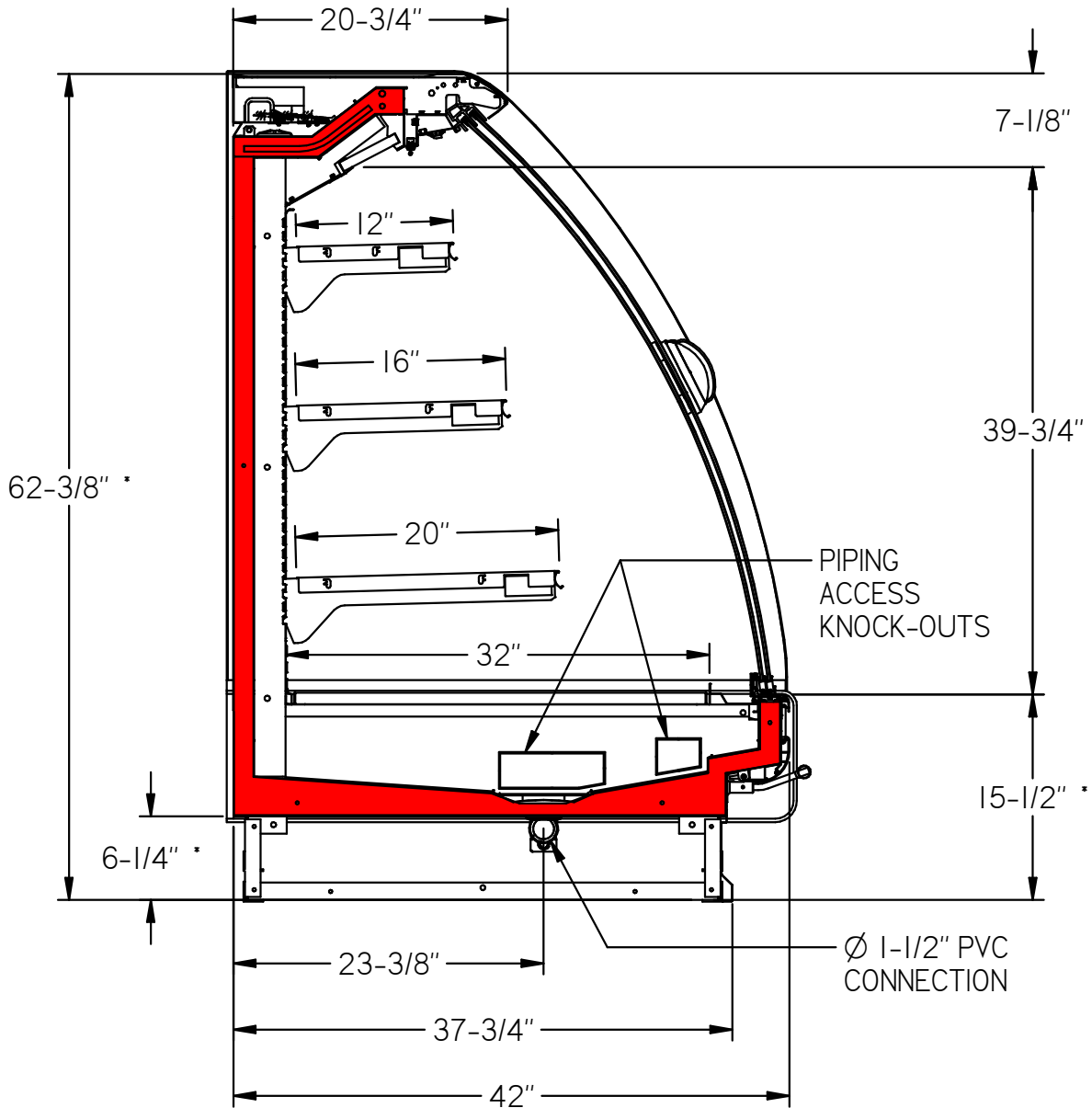


USA

SANTIAGO 105/150

PAGE 1

* SUBTRACT 2-1/4" WITH LOW LEG OPTION



SANTIAGO 105/150

UPDATED: 03/04/2019

REV 03



Intertek
31690007



Intertek
31690007

ARNEG RESERVES THE RIGHT TO CHANGE OR REVISE SPECIFICATIONS AND PRODUCT DESIGN IN CONNECTION WITH ANY FEATURE OF ITS PRODUCTS. SUCH CHANGES DO NOT ENTITLE THE BUYER TO CORRESPONDING CHANGES, IMPROVEMENTS, ADDITIONS, OR REPLACEMENTS FOR EQUIPMENT PREVIOUSLY SOLD OR SHIPPED. CASE DESIGN CONDITION NOT TO EXCEED 75° F & 55% RH

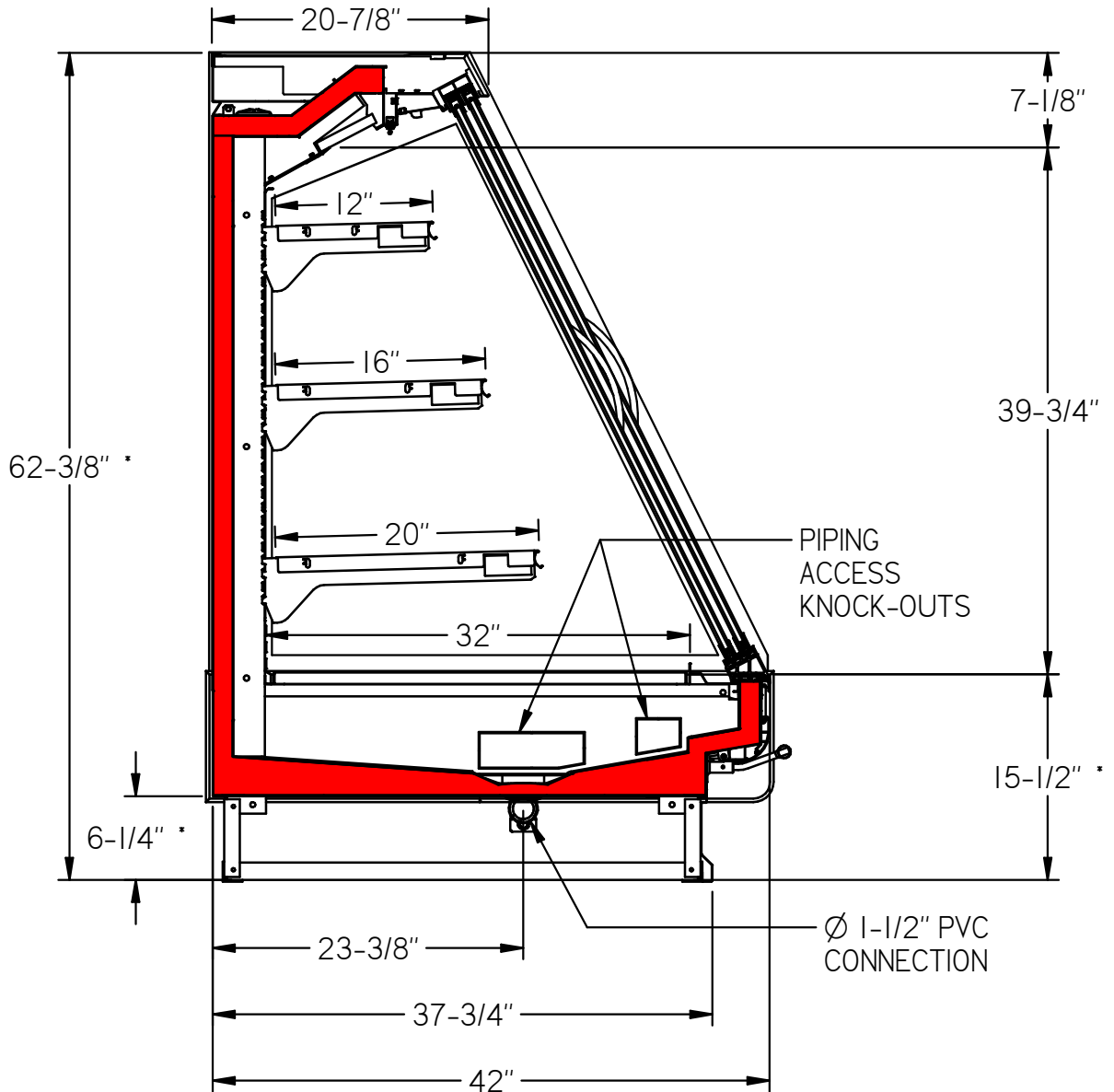


USA

SANTIAGO 105/150

PAGE 2

* SUBTRACT 2-1/4" WITH LOW LEG OPTION



SANTIAGO 105/150

UPDATED: 03/04/2019

REV 03

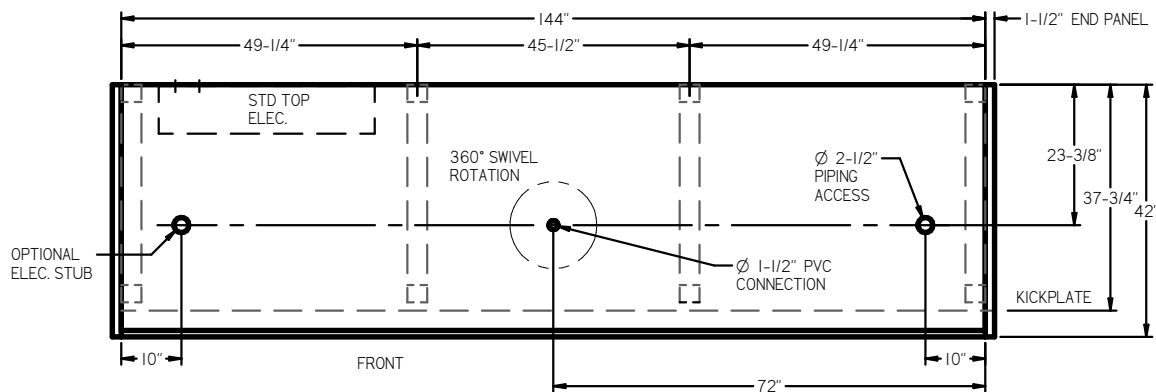
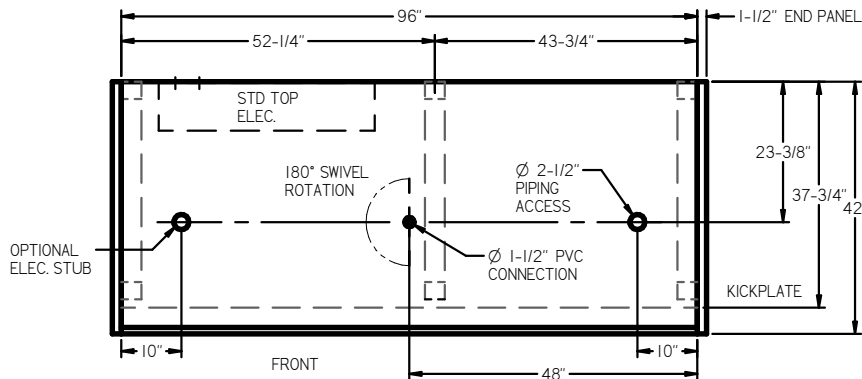
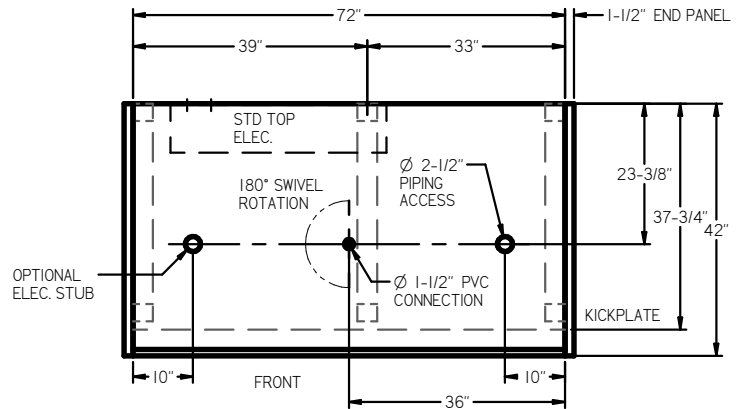
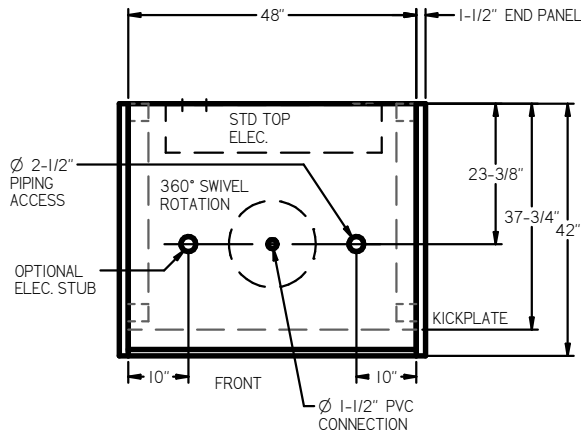


Intertek
31690007



Intertek
31690007

ARNEG RESERVES THE RIGHT TO CHANGE OR REVISE SPECIFICATIONS AND PRODUCT DESIGN IN CONNECTION WITH ANY FEATURE OF ITS PRODUCTS. SUCH CHANGES DO NOT ENTITLE THE BUYER TO CORRESPONDING CHANGES, IMPROVEMENTS, ADDITIONS, OR REPLACEMENTS FOR EQUIPMENT PREVIOUSLY SOLD OR SHIPPED. CASE DESIGN CONDITION NOT TO EXCEED 75° F & 55% RH



PIPING CONNECTIONS:

- STANDARD DX - SUCTION LINE = \varnothing 7/8", LIQUID LINE = \varnothing 3/8"
- CO2 - SUCTION LINE = \varnothing 1/2" (4FT, 6FT, 8FT) 5/8" (12FT), LIQUID LINE = \varnothing 3/8"



USA

Lighting Characteristics @ 120V														
Case Length	Fluorescent T8 Lighting (Per Row) Canopy or Row		Philips LED Lighting (Per Row)						Arneg LED Lighting (Per Row)					
			Shelving		Canopy (Normal)		Canopy (Warm)		Shelving		Canopy (Normal)		Canopy (Warm)	
	Amps	Watts	Amps	Watts	Amps	Watts	Amps	Watts	Amps	Watts	Amps	Watts	Amps	Watts
4'	N/A	N/A	0.8	10	0.8	10	0.8	10	0.08	10	0.17	20	0.17	20
6'	N/A	N/A	0.13	16	0.13	16	0.13	16	0.13	16	0.25	30	0.25	30
8'	N/A	N/A	0.17	20	0.17	20	0.17	20	0.17	20	0.33	40	0.33	40
12'	N/A	N/A	0.25	30	0.25	30	0.25	30	0.25	30	0.5	60	0.5	60

Electrical Characteristics @ 120V							
Case Length	Fan Quantity	High-Efficiency Fans (ECM)				Anti-Condensate Heaters	
		Meat		Dairy		Amps	Watts
		Amps	Watts	Amps	Watts		
4'	1	0.11	1.5	0.11	1.5	N/A	N/A
6'	2	0.22	3	0.22	3	N/A	N/A
8'	2	0.22	3	0.33	3	N/A	N/A
12'	3	0.33	4.5	0.44	4.5	N/A	N/A

Refrigeration Characteristics						
Application	BTUH/Ft		SST (°F)	SuperHeat (°F)	Discharge Air (°F)	Discharge Air Velocity (FPM)
	Parallel	Conv.				
Meat	300	313	29	6-8	32	100
Dairy/Deli/Cut Produce	275	280	32	6-8	35	100

Defrost Settings				
Defrost Type	Defrosts (Day)	Fail Safe (Min.)	Termination Temperature (°F)	Drip Time (Min)
Off Cycle / Dairy	2	30	40°F	0
Off Cycle / Meat	2	30	40°F	0

Add 10 BTUH/Ft per row of LED shelf lighting.

Add 10 BTUH/ Ft per row of additional LED canopy lighting

1. ArnegUSA refrigerated display cases for sale in the United States meet or exceed Department of Energy 2012 energy efficiency requirements.
2. Recommended Settings for Conventional Discharge Air Control: Cut-In Temp = Field Discharge Air +2°F, Cut-Out Temp = Field Discharge Air -2°F.
3. Average Discharge Air Velocity measure five minutes after defrost.
4. Listed evaporator temperature indicates unlighted shelves. For lighted shelves and/or aftermarket merchandising accessories, reduce the listed evaporator temperature by 2°F.
5. Amps are taken from electrical nameplate values, watts are actual recorded values from laboratory measurements.



ARNEG RESERVES THE RIGHT TO CHANGE OR REVISE SPECIFICATIONS AND PRODUCT DESIGN IN CONNECTION WITH ANY FEATURE OF ITS PRODUCTS. SUCH CHANGES DO NOT ENTITLE THE BUYER TO CORRESPONDING CHANGES, IMPROVEMENTS, ADDITIONS, OR REPLACEMENTS FOR EQUIPMENT PREVIOUSLY SOLD OR SHIPPED. CASE DESIGN CONDITION NOT TO EXCEED 75° F & 55% RH