

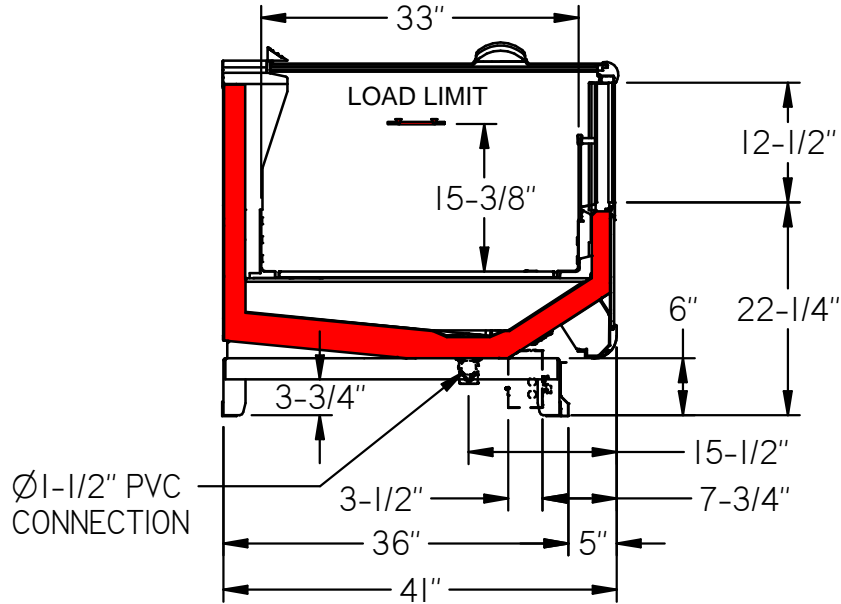


USA

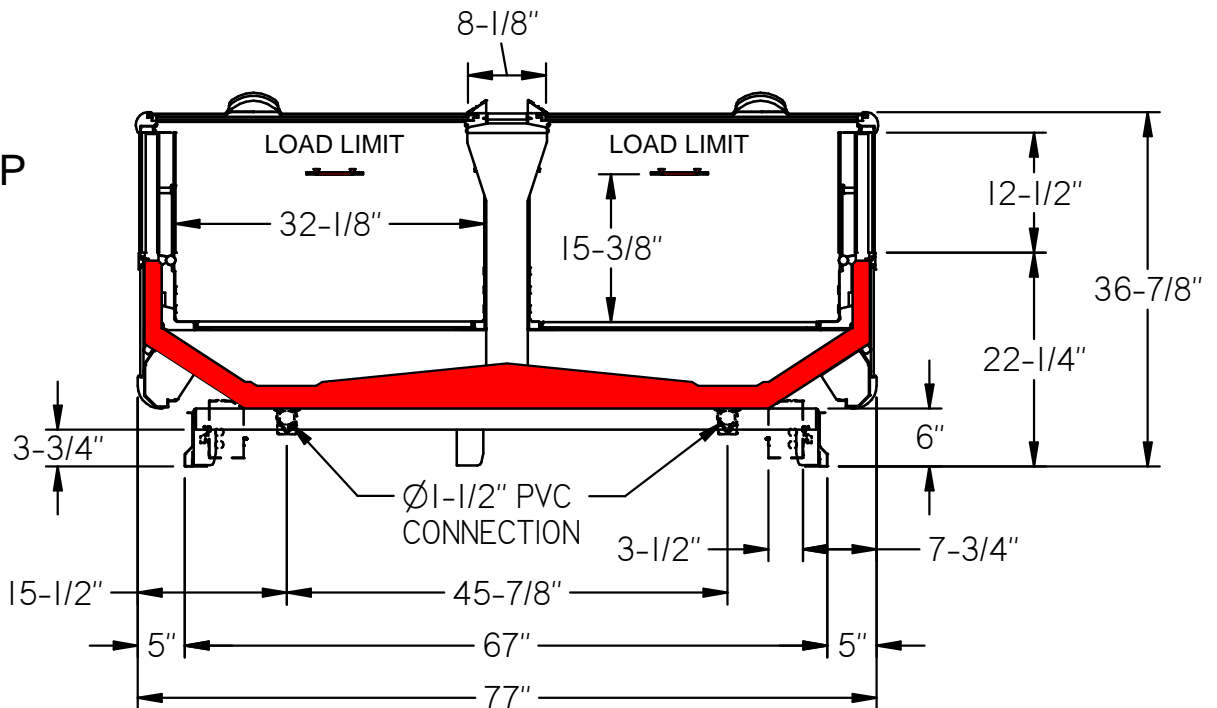
TORONTO G3

PAGE 1

HEAD CASE



LINE-UP



D2U00082

UPDATED: 04/17/2019

REV 04

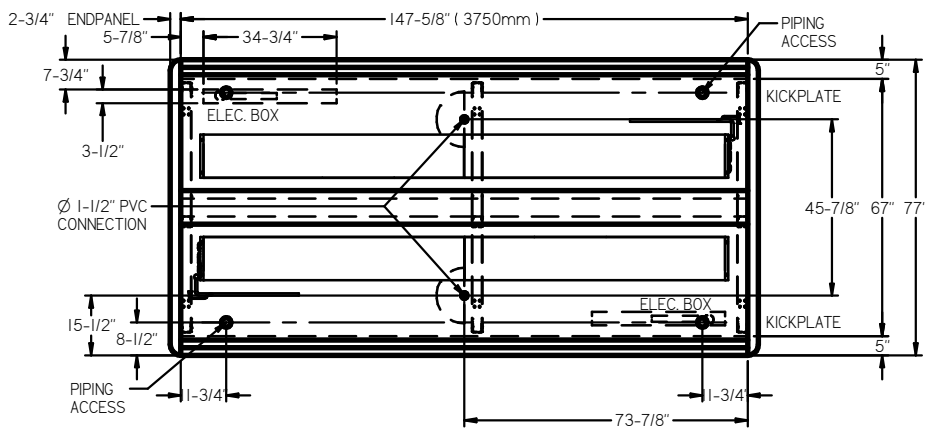
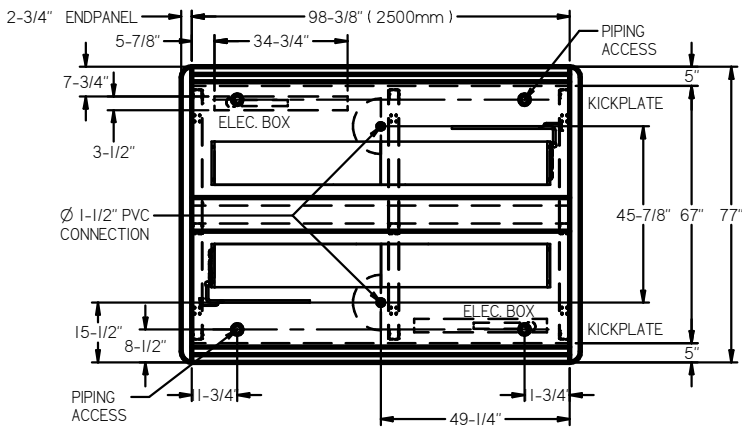
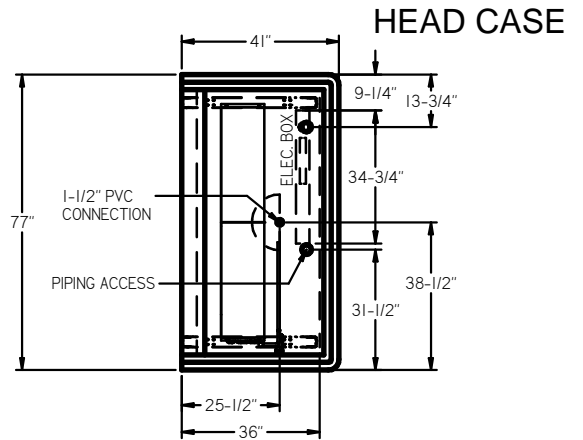
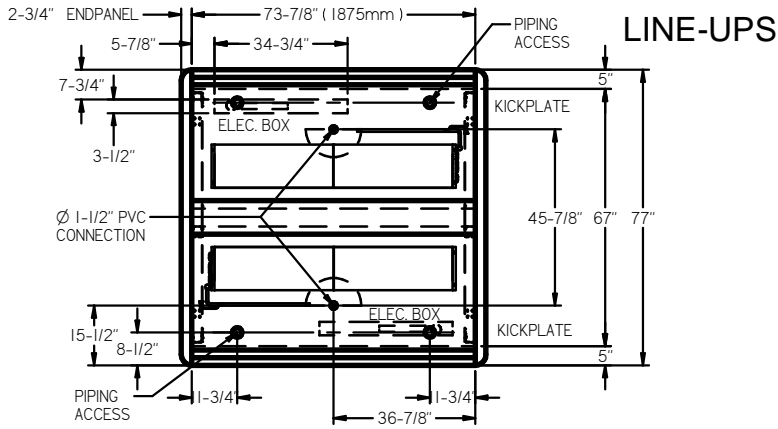


Intertek
31690007



Intertek
31690007

ARNEG RESERVES THE RIGHT TO CHANGE OR REVISE SPECIFICATIONS AND PRODUCT DESIGN IN CONNECTION WITH ANY FEATURE OF ITS PRODUCTS. SUCH CHANGES DO NOT ENTITLE THE BUYER TO CORRESPONDING CHANGES, IMPROVEMENTS, ADDITIONS, OR REPLACEMENTS FOR EQUIPMENT PREVIOUSLY SOLD OR SHIPPED. CASE DESIGN CONDITION NOT TO EXCEED 75° F & 55% RH



PIPING CONNECTIONS:

- STANDARD DX - SUCTION LINE = Ø 5/8", LIQUID LINE = Ø 3/8"
- CO2 - SUCTION LINE = Ø 1/2", LIQUID LINE = Ø 3/8"

D2U00082

UPDATED: 04/17/2019

REV 04



Intertek
31690007



Intertek
31690007

ARNEG RESERVES THE RIGHT TO CHANGE OR REVISE SPECIFICATIONS AND PRODUCT DESIGN IN CONNECTION WITH ANY FEATURE OF ITS PRODUCTS. SUCH CHANGES DO NOT ENTITLE THE BUYER TO CORRESPONDING CHANGES, IMPROVEMENTS, ADDITIONS, OR REPLACEMENTS FOR EQUIPMENT PREVIOUSLY SOLD OR SHIPPED. CASE DESIGN CONDITION NOT TO EXCEED 75° F & 55% RH



USA

Lighting Characteristics @ 120 Volts								
Case Length	Fluorescent T8 Lighting (Per Row) Canopy or Row		Philips LED Lighting (Per Row)					
			Shelving		Canopy (Normal)		Hand Rail (Normal)	
	Amps	Watts	Amps	Watts	Amps	Watts	Amps	Watts
Head	N/A	N/A	N/A	N/A	N/A	N/A	0.13	16
6.15 Ft /1875 mm	N/A	N/A	0.13	N/A	N/A	N/A	0.26	32
8.2 Ft /2500 mm	N/A	N/A	0.17	N/A	N/A	N/A	0.33	40
12.3 Ft /3750 mm	N/A	N/A	0.25	N/A	N/A	N/A	0.5	60

Electrical Characteristics @ 120 Volts							
Case Length	Fan Quantity	High-Efficiency Fans (ECM)		Anti-Condensate Heaters (Low Temp)		Anti-Condensate Heaters Per Glass End (Low Temp)	
		Amps	Watts	Amps	Watts	Amps	Watts
Head	2	0.6	2	1.65	197.2	-	-
6.15 Ft /1875 mm	4	1.2	4	2.22	265.4	0.3	36.1
8.2 Ft /2500 mm	4	1.2	4	2.92	349.9	0.3	36.1
12.3 Ft /3750 mm	6	1.8	6	4.3	513.8	0.3	36.1

Defrost Heater Electrical Characteristics @				
Case Length	Coil Heater (Low Temp)		Drain Heater (Low Temp)	
	Amps	Watts	Amps	Watts
Head	5.61	1167	N/A	N/A
6.15 Ft /1875 mm	11.22	2334	N/A	N/A
8.2 Ft /2500 mm	15.38	3198	N/A	N/A
12.3 Ft /3750 mm	23.58	4908	N/A	N/A

Refrigeration Characteristics						
Application	BTUH/Ft		SST (°F)	SuperHeat (°F)	Discharge Air (°F)	Discharge Air Velocity (FPM)
	Parallel	Conv.				
Frozen	395	405	-17	4-6	-12	100
Ice Cream	450	460	-26	4-6	-21	100

Head Refrigeration Characteristics						
Application	Total BTUH		SST (°F)	SuperHeat (°F)	Discharge Air (°F)	Discharge Air Velocity (FPM)
	Parallel	Conv.				
Frozen	1405	1430	-17	4-6	-12	100
Ice Cream	1420	1455	-26	4-6	-21	100

Defrost Settings				
Defrost Type	Defrosts (Day)	Fail Safe (Min.)	Termination Temperature (°F)	Drip Time (Min)
Electric	1	35	50°F	0
Hot Gas	1	20	50°F	15

Add 10 BTUH/Ft per row of hand rail lighting.

1. ArnegUSA refrigerated display cases for sale in the United States meet or exceed Department of Energy 2012 energy efficiency requirements.
2. Recommended Settings for Conventional Discharge Air Control: Cut-In Temp = Field Discharge Air +2°F, Cut-Out Temp = Field Discharge Air -2°F.
3. Average Discharge Air Velocity measure five minutes after defrost.
4. Amps are taken from electrical nameplate values, watts are actual recorded values from laboratory measurements.
5. Refrigeration and Electrical Data includes both sides of the case.

D2U00082

UPDATED: 04/17/2019

REV 04



Intertek
31690007



Intertek
31690007

ARNEG RESERVES THE RIGHT TO CHANGE OR REVISE SPECIFICATIONS AND PRODUCT DESIGN IN CONNECTION WITH ANY FEATURE OF ITS PRODUCTS. SUCH CHANGES DO NOT ENTITLE THE BUYER TO CORRESPONDING CHANGES, IMPROVEMENTS, ADDITIONS, OR REPLACEMENTS FOR EQUIPMENT PREVIOUSLY SOLD OR SHIPPED. CASE DESIGN CONDITION NOT TO EXCEED 75° F & 55% RH