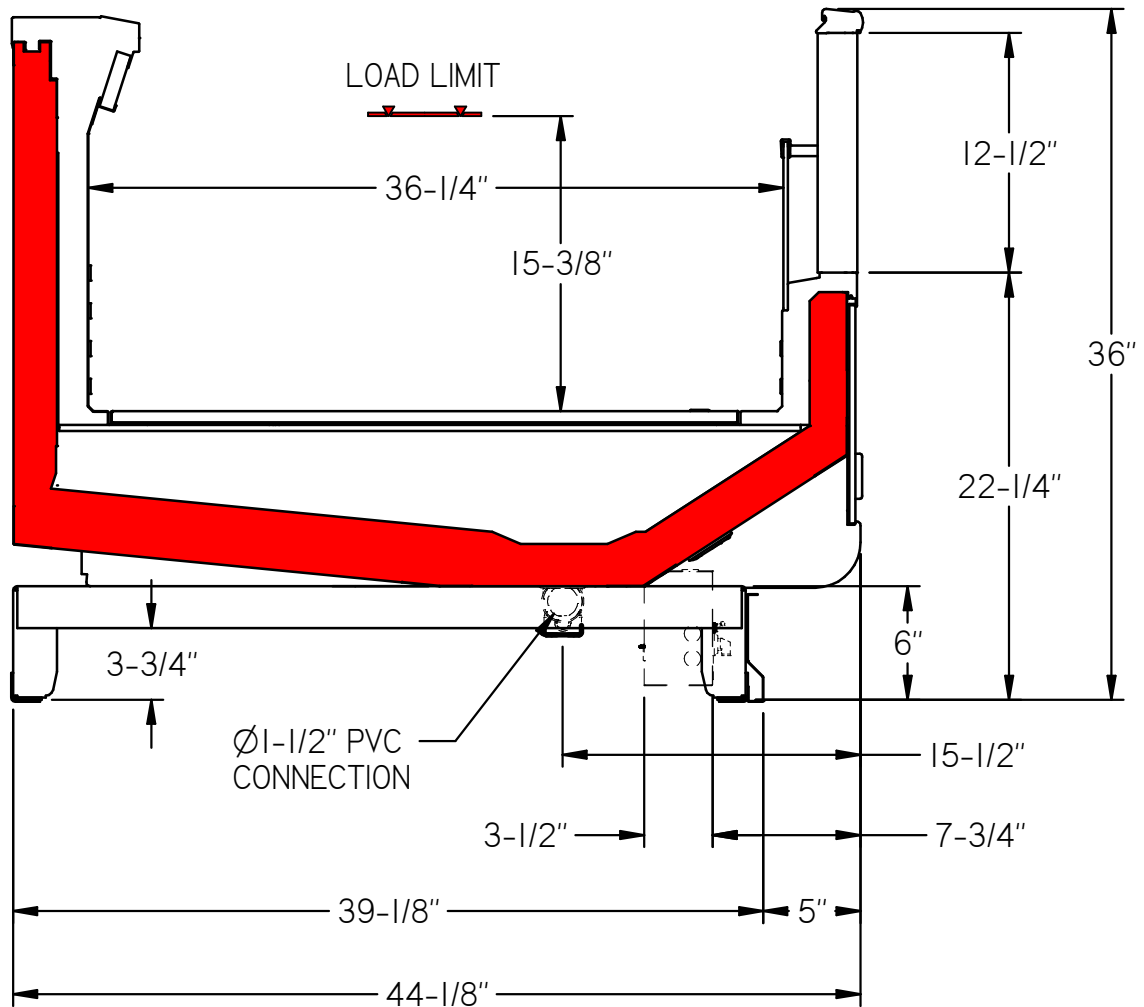




USA

ANKARA G3

PAGE 1



D2U00090

UPDATED: 1/16/2018

REV 00

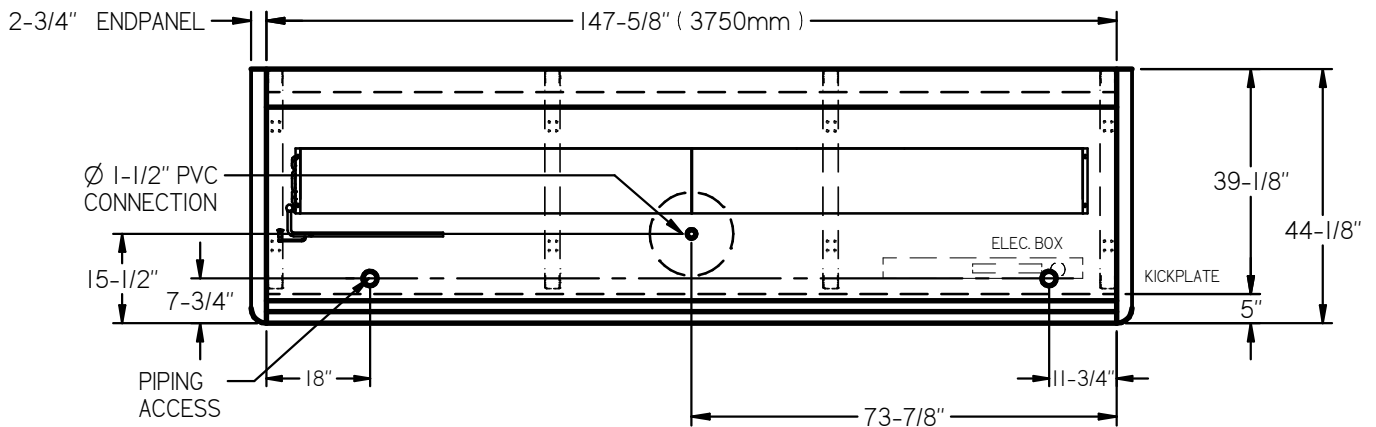
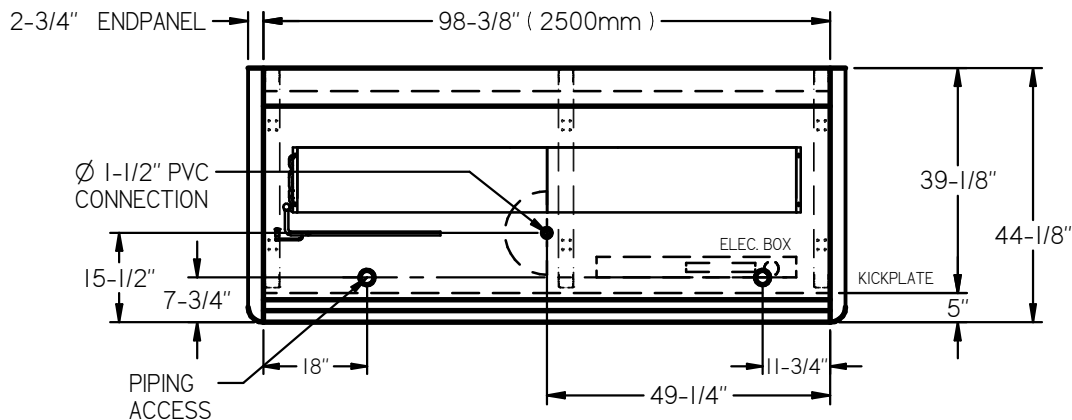
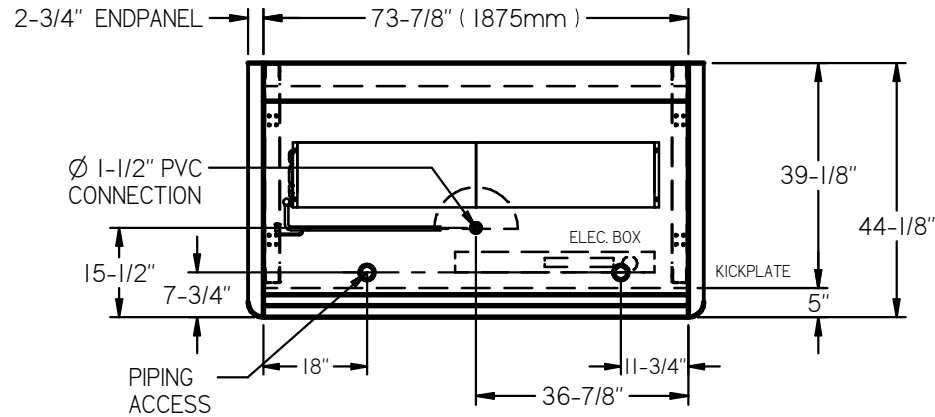


Intertek
31690007



Intertek
31690007

ARNEG RESERVES THE RIGHT TO CHANGE OR REVISE SPECIFICATIONS AND PRODUCT DESIGN IN CONNECTION WITH ANY FEATURE OF ITS PRODUCTS. SUCH CHANGES DO NOT ENTITLE THE BUYER TO CORRESPONDING CHANGES, IMPROVEMENTS, ADDITIONS, OR REPLACEMENTS FOR EQUIPMENT PREVIOUSLY SOLD OR SHIPPED. CASE DESIGN CONDITION NOT TO EXCEED 75° F & 55% RH



PIPING CONNECTIONS:

- STANDARD DX - SUCTION LINE = Ø 5/8", LIQUID LINE = Ø 3/8"
- CO2 - SUCTION LINE = Ø 1/2", LIQUID LINE = Ø 3/8"

D2U00090

UPDATED: 1/16/2018

REV 00



Intertek
31690007



Intertek
31690007

ARNEG RESERVES THE RIGHT TO CHANGE OR REVISE SPECIFICATIONS AND PRODUCT DESIGN IN CONNECTION WITH ANY FEATURE OF ITS PRODUCTS. SUCH CHANGES DO NOT ENTITLE THE BUYER TO CORRESPONDING CHANGES, IMPROVEMENTS, ADDITIONS, OR REPLACEMENTS FOR EQUIPMENT PREVIOUSLY SOLD OR SHIPPED. CASE DESIGN CONDITION NOT TO EXCEED 75° F & 55% RH



USA

Lighting Characteristics @ 120V				
Case Length	Philips Fluorescent T5 Lighting		Philips LED Lighting	
	Amps	Watts	Amps	Watts
6' to 12'	N/A	N/A	N/A	N/A

Electrical Characteristics @ 120V					
Case Length	Fan Quantity	High-Efficiency Fans (ECM)		Anti-Condensate Heaters	
		Amps	Watts	Amps	Watts
6'	2	0.22	3	0.88	105
8'	2	0.22	3	1.14	137
12'	3	0.33	4.5	1.68	202

Defrost Characteristics		
Case Length	Coil Heaters @ 208V	
	Amps	Watts
6'	5.60	1165
8'	7.67	1595
12'	12.09	2515

Refrigeration Characteristics (Direct Expansion)						
Application	Capacity (BTUH/Ft)		SST (°F)	SuperHeat (°F)	Discharge Air (°F)	Discharge Air Velocity (FPM)
	Parallel	Conv.				
Medium Temperature	365	370	23	6-8	28	200
Low Temperature	460	465	-20	3-5	-15	200

Total Refrigeration Characteristics (Direct Expansion)						
Application	Total BTU/Hr		SST (°F)	SuperHeat (°F)	Discharge Air (°F)	Discharge Air Velocity (FPM)
	Parallel	Conv.				
6.15Ft/1875mm - Medium Temperature	2190	2220	23	6-8	28	200
6.15Ft/1875mm - Low Temperature	2760	2790	-20	3-5	-15	200
8.2Ft/2500mm - Medium Temperature	2920	2960	23	6-8	28	200
8.2Ft/2500mm - Low Temperature	3680	3720	-20	3-5	-15	200
12.3Ft/3750mm - Medium Temperature	4380	4440	23	6-8	28	200
12.3Ft/3750mm - Low Temperature	5520	5580	-20	3-5	-15	200

Defrost Settings (Direct Expansion)					
Application	Defrost Type	Defrosts (Day)	Fail Safe (Min.)	Termination Temperature (°F)	Drip Time (Min)
Medium Temperature	Hot Gas	2	20	50	0
Medium Temperature	Electric	2	45	50	0
Low Temperature	Hot Gas	2	20	50	0
Low Temperature	Electric	2	45	50	0

1. ArnegUSA refrigerated display cases for sale in the United States meet or exceed Department of Energy 2017 energy efficiency requirements.
2. Recommended Settings for Conventional Discharge Air Control: Cut-In Temp = Field Discharge Air +2°F, Cut-Out Temp = Field Discharge Air -2°F.
3. Average Discharge Air Velocity measure five minutes after defrost.
4. Amps are taken from electrical nameplate values, watts are actual recorded values from laboratory measurements.



ARNEG RESERVES THE RIGHT TO CHANGE OR REVISE SPECIFICATIONS AND PRODUCT DESIGN IN CONNECTION WITH ANY FEATURE OF ITS PRODUCTS. SUCH CHANGES DO NOT ENTITLE THE BUYER TO CORRESPONDING CHANGES, IMPROVEMENTS, ADDITIONS, OR REPLACEMENTS FOR EQUIPMENT PREVIOUSLY SOLD OR SHIPPED. CASE DESIGN CONDITION NOT TO EXCEED 75° F & 55% RH