

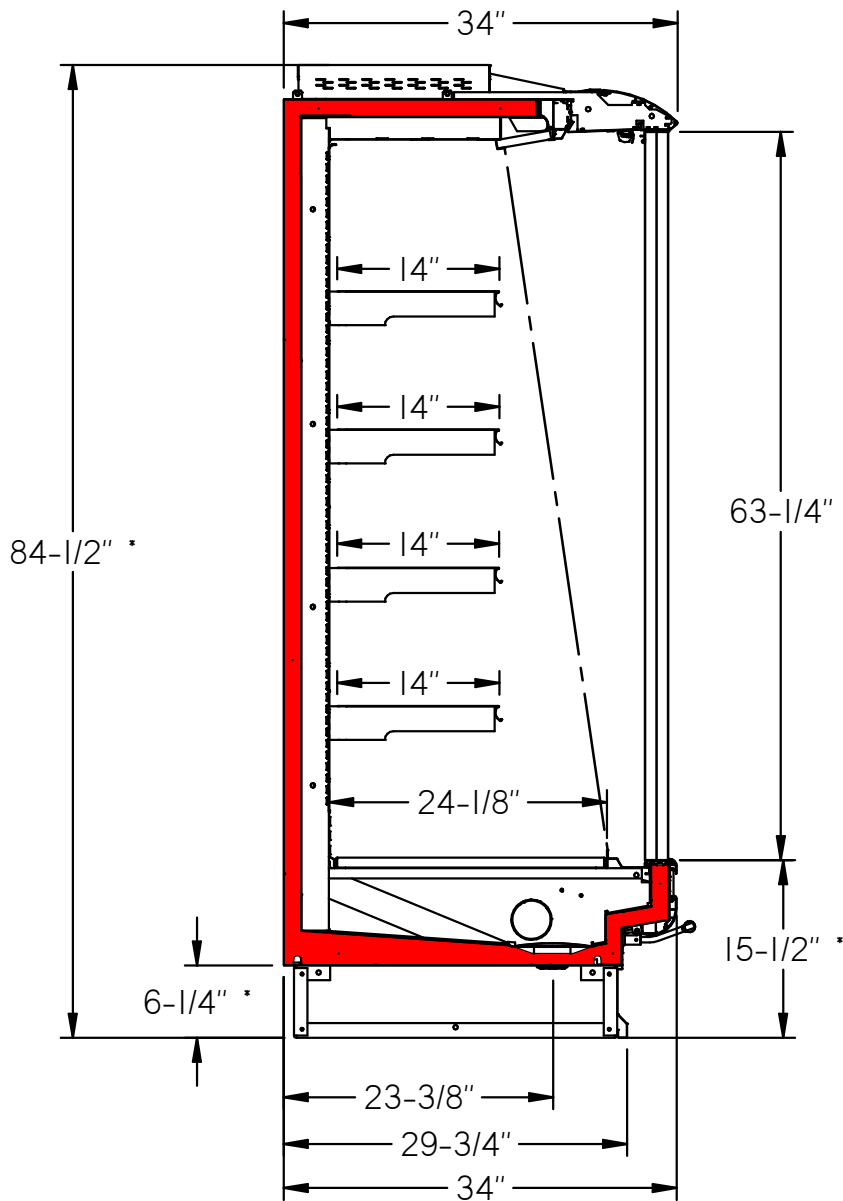


USA

BRAGA 85/200

PAGE 1

* SUBTRACT 2-1/4" WITH LOW LEG OPTION



D2U00071

UPDATED: 05/04/2018

REV 02

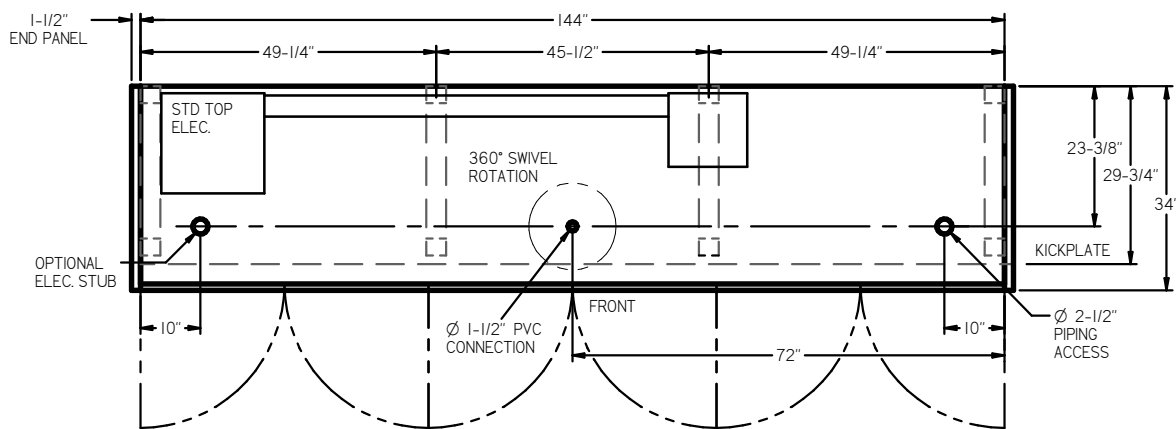
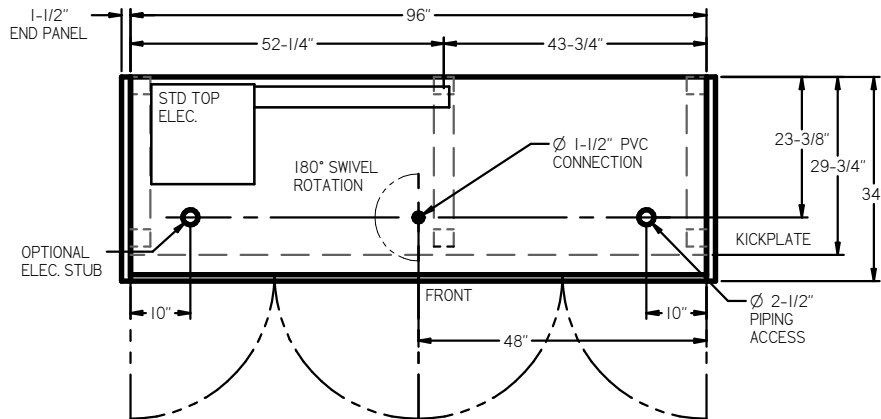


Intertek
31690007



Intertek
31690007

ARNEG RESERVES THE RIGHT TO CHANGE OR REVISE SPECIFICATIONS AND PRODUCT DESIGN IN CONNECTION WITH ANY FEATURE OF ITS PRODUCTS. SUCH CHANGES DO NOT ENTITLE THE BUYER TO CORRESPONDING CHANGES, IMPROVEMENTS, ADDITIONS, OR REPLACEMENTS FOR EQUIPMENT PREVIOUSLY SOLD OR SHIPPED. CASE DESIGN CONDITION NOT TO EXCEED 75° F & 55% RH



PIPING CONNECTIONS:

- STANDARD DX - SUCTION LINE = \varnothing 7/8", LIQUID LINE = \varnothing 3/8"
- CO2 - SUCTION LINE = \varnothing 1/2" (4FT, 6FT, 8FT) 5/8" (12FT), LIQUID LINE = \varnothing 3/8"

D2U00071

UPDATED: 05/04/2018

REV 02



ARNEG RESERVES THE RIGHT TO CHANGE OR REVISE SPECIFICATIONS AND PRODUCT DESIGN IN CONNECTION WITH ANY FEATURE OF ITS PRODUCTS. SUCH CHANGES DO NOT ENTITLE THE BUYER TO CORRESPONDING CHANGES, IMPROVEMENTS, ADDITIONS, OR REPLACEMENTS FOR EQUIPMENT PREVIOUSLY SOLD OR SHIPPED. CASE DESIGN CONDITION NOT TO EXCEED 75° F & 55% RH



USA

BRAGA 85/200

PAGE 3

Lighting Characteristics @ 120V																
Case Length	Philips LED Lighting (Per Row)								Arneg LED Lighting (Per Row)							
	Shelving		Canopy (Normal)		Canopy (Warm)		Mullion		Shelving		Canopy (Normal)		Canopy (Warm)		Mullion	
	Amps	Watts	Amps	Watts	Amps	Watts	Amps	Watts	Amps	Watts	Amps	Watts	Amps	Watts	Amps	Watts
8'	0.17	20	0.33	40	0.33	40	0.57	68.8	0.17	20	0.33	40	0.33	40	N/A	N/A
12'	0.25	30	0.5	60	0.5	60	0.86	103.2	0.25	30	0.5	60	0.5	60	N/A	N/A

Electrical Characteristics @ 120V							
Case Length	Fan Quantity	High-Efficiency Fans		Frame Anti-Condensate Heaters			
		Meat / Dairy		Anthony - Vista C		Cisaplast - Cisa 14	
		Amps	Watts	Amps	Watts	Amps	Watts
8'	3	0.33	7.05	0.83	100	0.66	78
12'	4	0.44	9.4	1.22	146	0.99	117

Refrigeration Characteristics							
Door Type	Application	BTUH/Ft		SST (°F)	SuperHeat (°F)	Discharge Air (°F)	Discharge Air Velocity (FPM)
		Parallel	Conv.				
Remis - Safety Max / Cisa 14	Dairy	190	198	31	6-8	35	200
Anthony - Vista C	Dairy	198	207	31	6-8	35	200
Anthony - Vista C / Cisa 14	Meat	230	240	27	6-8	31	200

Defrost Settings				
Defrost Type	Defrosts (Day)	Fail Safe (Min.)	Termination Temperature (°F)	Drip Time (Min)
Off Cycle / Dairy	2	30	40	0

Add 10 BTUH/Ft per row of LED shelf lighting.

Add 13 BTUH/ Ft per row of additional LED canopy lighting

Add 12 BTUH/Ft for mullion lighting

1. ArnegUSA refrigerated display cases for sale in the United States meet or exceed Department of Energy 2012 energy efficiency requirements.
2. Recommended settings for Conventional Discharge Air Control: Cut-In Temp = Field Discharge Air +2°F; Cut-Out Temp = Field Discharge Air - 2°F
3. Average Discharge Air Velocity measured five minutes after defrost
4. Listed evaporator temperature indicates unlighted shelves. For lighted shelves and/or aftermarket merchandising accessories, reduce the listed evaporator temperature by 2°F.
5. Amps are taken from electrical nameplate values, watts are actual recorded values from laboratory measurements.
6. Published BTUH values were established with a single row of LED canopy lighting.

D2U00071

UPDATED: 05/04/2018

REV 02



ARNEG RESERVES THE RIGHT TO CHANGE OR REVISE SPECIFICATIONS AND PRODUCT DESIGN IN CONNECTION WITH ANY FEATURE OF ITS PRODUCTS. SUCH CHANGES DO NOT ENTITLE THE BUYER TO CORRESPONDING CHANGES, IMPROVEMENTS, ADDITIONS, OR REPLACEMENTS FOR EQUIPMENT PREVIOUSLY SOLD OR SHIPPED. CASE DESIGN CONDITION NOT TO EXCEED 75° F & 55% RH