

# Brioni

Open semi vertical ■ Plug-in



**arneg**

USA

[www.arnegusa.com](http://www.arnegusa.com)

## PRODUCT CATEGORIES

Pre-Packed Produce / Cheese / Delicatessen / Fresk Milk / Salami / Beverages

## FEATURES

Medium Temperature

Cord and Plug Included, No Drain Required

LED Canopy and Shelf Lighting

Low Front

Low GWP Refrigerant

Digital Temperature Controller

Interior: Black

Exterior: White (Standard)

Can be configured as Island or Line-up

Full Length Evaporator Coils Constructed with Copper Tubing and Aluminum Fins in a Proprietary Configuration that Increases Defrost Efficiency

Exclusive One Piece Foam Injection Process Increases Operating Efficiency and Maintains Consistent Temperatures Across an Exceptionally Strong Case

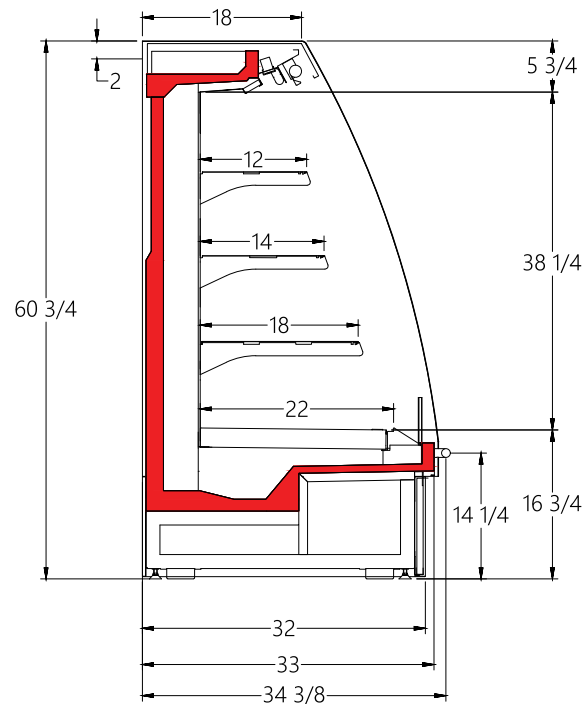
## OPTIONS

Exterior: Custom Color

Multi-plexing Kit

Shelf Plexiglas Stop

PTM Shelf



**BRIONI 2 H150**



**LEARN MORE**

ARNEG LLC - 750 Old Hargrave Road - 27295 Lexington, NC Phone: 336.956.5300 - Toll Free: 1.800.276.3487 - [arnegusa.com](http://arnegusa.com)  
Photos may illustrate non-standard options. Arneg USA reserves the right to modify and/or improve specifications without notice.



**arneg**

USA

[www.arnegusa.com](http://www.arnegusa.com)