
Clemmons

Open Semi-Vertical ■ Plug-in



arneg

USA

www.arnegusa.com

PRODUCT CATEGORIES

Pre-Packed Produce / Pre-Packed Fish / Delicatessen / Pre-Packaged Meat / Salami / Beverages

FEATURES

Critical Medium Temp

Nominal Lengths: 3', 4', 6' (See arnegusa.com for actual lengths)

LED Canopy Lighting

Industrial Locking Casters - For Mobility (Including Back to Back Configuration and Wall Placement)

Front Bumper

Panoramic Thermopane Glass End Panels

Digital Temperature Controller

Adjustable Wire Rack

Interior: Black (Standard)

Durable 15" Top Canopy - Allows for Cross Merchandising on Top

Full Length Evaporator Coils Constructed with Copper Tubing and Aluminum Fins in a Proprietary Configuration that Increases Defrost Efficiency

Exclusive One Piece Foam Injection Process Increases Operating Efficiency and Maintains Consistent Temperatures Across an Exceptionally Strong Case

OPTIONS

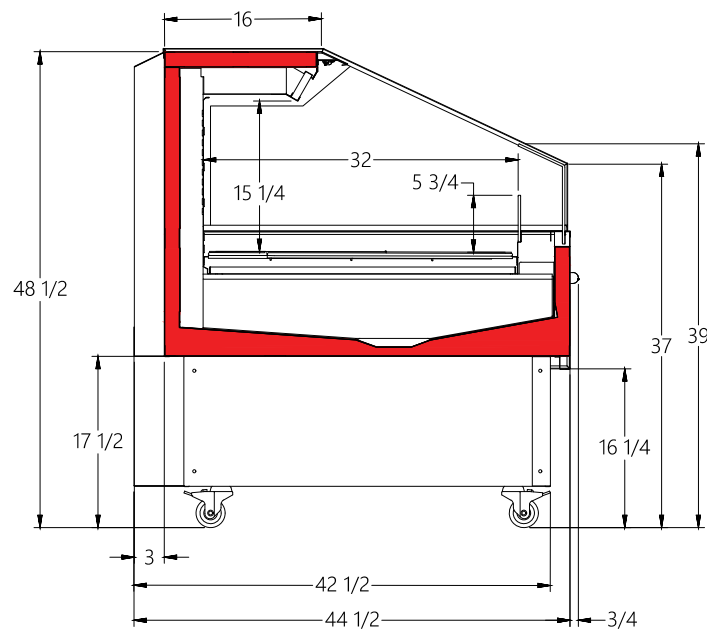
14" Deep Shelf

Two Step Riser

Exterior: Custom Color (Including option for painted wood or marble like finish)

Interior: Stainless Steel or White

Side Bumpers



CLEMMONS



LEARN MORE

ARNEG LLC - 750 Old Hargrave Road - 2w295 Lexington, NC Phone: 336.956.5300 - Toll Free: 1.800.276.3487 - arnegusa.com
Photos may illustrate non-standard options. Arneg USA reserves the right to modify and/or improve specifications without notice.



www.arnegusa.com



arneg

USA