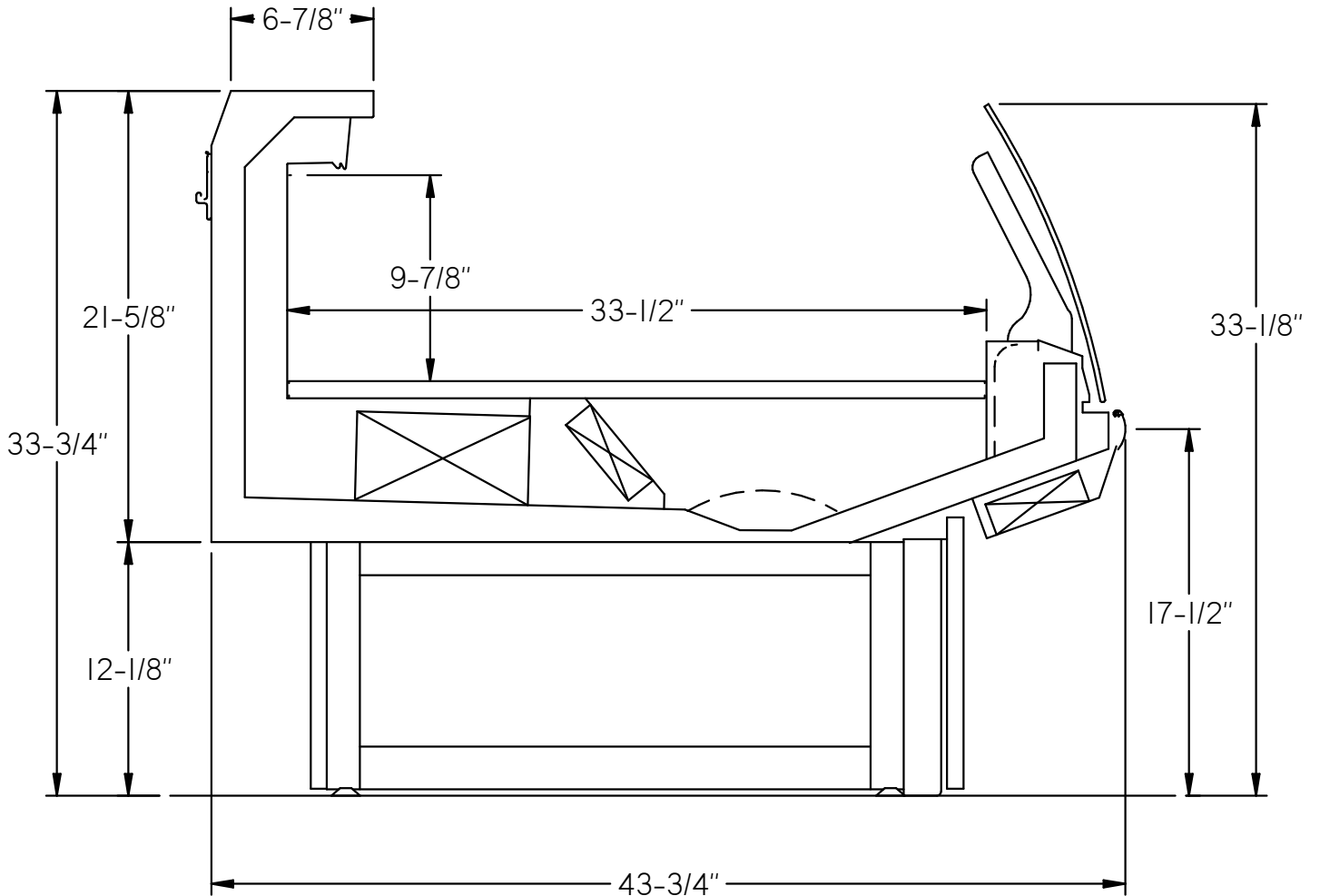




USA

VENEZIA 2 MAXI VCB SELF

PAGE 1



D2U00119

UPDATED: 10/23/2019

REV 01



Intertek
31690007

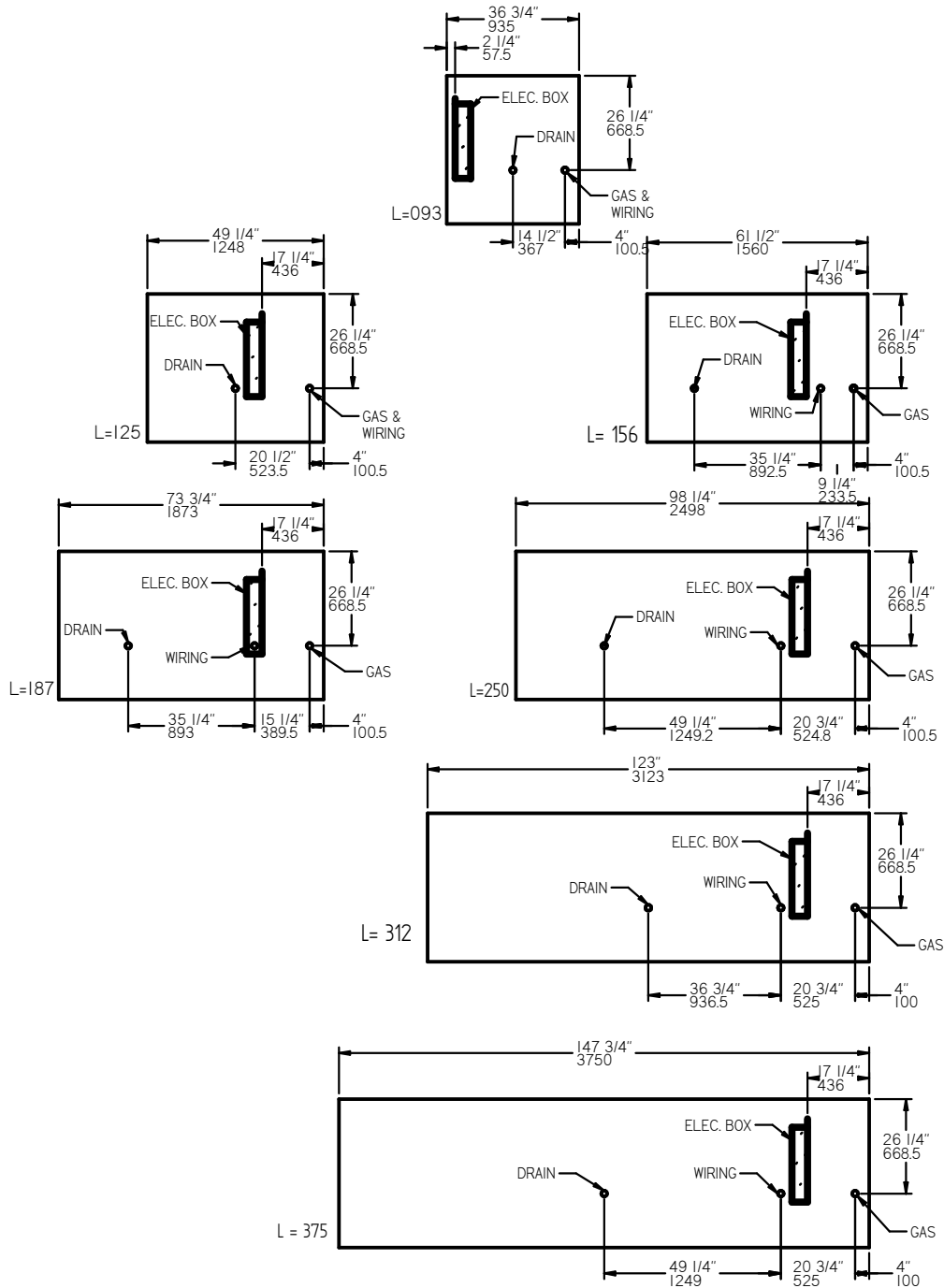


Intertek
31690007

ARNEG RESERVES THE RIGHT TO CHANGE OR REVISE SPECIFICATIONS AND PRODUCT DESIGN IN CONNECTION WITH ANY FEATURE OF ITS PRODUCTS. SUCH CHANGES DO NOT ENTITLE THE BUYER TO CORRESPONDING CHANGES, IMPROVEMENTS, ADDITIONS, OR REPLACEMENTS FOR EQUIPMENT PREVIOUSLY SOLD OR SHIPPED. CASE DESIGN CONDITION NOT TO EXCEED 75° F & 55% RH



USA



D2U00119

UPDATED: 10/23/2019

REV 01



Intertek
31690007



Intertek
31690007

ARNEG RESERVES THE RIGHT TO CHANGE OR REVISE SPECIFICATIONS AND PRODUCT DESIGN IN CONNECTION WITH ANY FEATURE OF ITS PRODUCTS. SUCH CHANGES DO NOT ENTITLE THE BUYER TO CORRESPONDING CHANGES, IMPROVEMENTS, ADDITIONS, OR REPLACEMENTS FOR EQUIPMENT PREVIOUSLY SOLD OR SHIPPED. CASE DESIGN CONDITION NOT TO EXCEED 75° F & 55% RH



USA

Lighting Characteristics @ 120V

Case Length	Philips Integrate LED Lighting per row				Arneg LED Lighting per row			
	Exterior Lighting		Interior Lighting		Exterior Lighting		Interior Lighting	
	Amps	Watts	Amps	Watts	Amps	Watts	Amps	Watts
4'	0.08	10	N/A	N/A	0.08	9.6	N/A	N/A
6'	0.12	14	N/A	N/A	0.12	14.4	N/A	N/A
8'	0.17	20	N/A	N/A	0.16	19.2	N/A	N/A
12'	0.25	30	N/A	N/A	0.24	28.8	N/A	N/A

Electrical Characteristics @ 120V

Case Length	Evaporator Fans		
	Quantity	Amps	Watts
4'	2	0.16	16.6
6'	3	0.24	24.9
8'	4	0.32	33.2
12'	6	0.48	49.8

Refrigeration Characteristics

Front Height	BTUH/Ft		SST (°F)	SuperHeat (°F)	Discharge Air (°F)	Discharge Air Velocity (FPM)
	Parallel	Conv.				
STD	329	405	18	6 - 8	31	350

Defrost Settings

Defrost Type	Defrosts (Day)	Fail Safe (Min.)	Termination Temperature (°F)	Drip Time (Min)
Off Cycle	6	45	N/A	N/A

1. ArnegUSA refrigerated display cases for sale in the United States meet or exceed Department of Energy 2017 energy efficiency requirements.
2. Recommended Settings for Conventional Discharge Air Control: Cut-In Temp = Field Discharge Air +2°F, Cut-Out Temp = Field Discharge Air -2°F.
3. Average Discharge Air Velocity measure five minutes after defrost.
4. Listed evaporator temperature indicates unlighted shelves. For lighted shelves and/or aftermarket merchandising accessories, reduce the listed evaporator temperature by 2°F.
5. Amps are taken from electrical nameplate values, watts are actual recorded values from laboratory measurements.

D2U00119

UPDATED: 10/23/2019

REV 01



ARNEG RESERVES THE RIGHT TO CHANGE OR REVISE SPECIFICATIONS AND PRODUCT DESIGN IN CONNECTION WITH ANY FEATURE OF ITS PRODUCTS. SUCH CHANGES DO NOT ENTITLE THE BUYER TO CORRESPONDING CHANGES, IMPROVEMENTS, ADDITIONS, OR REPLACEMENTS FOR EQUIPMENT PREVIOUSLY SOLD OR SHIPPED. CASE DESIGN CONDITION NOT TO EXCEED 75° F & 55% RH