

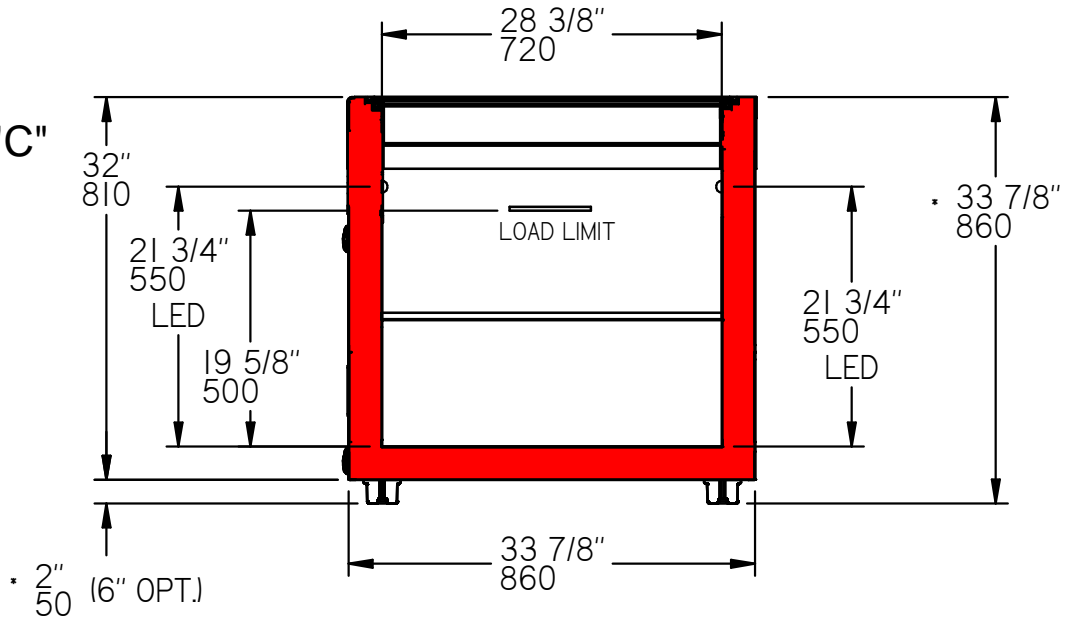


USA

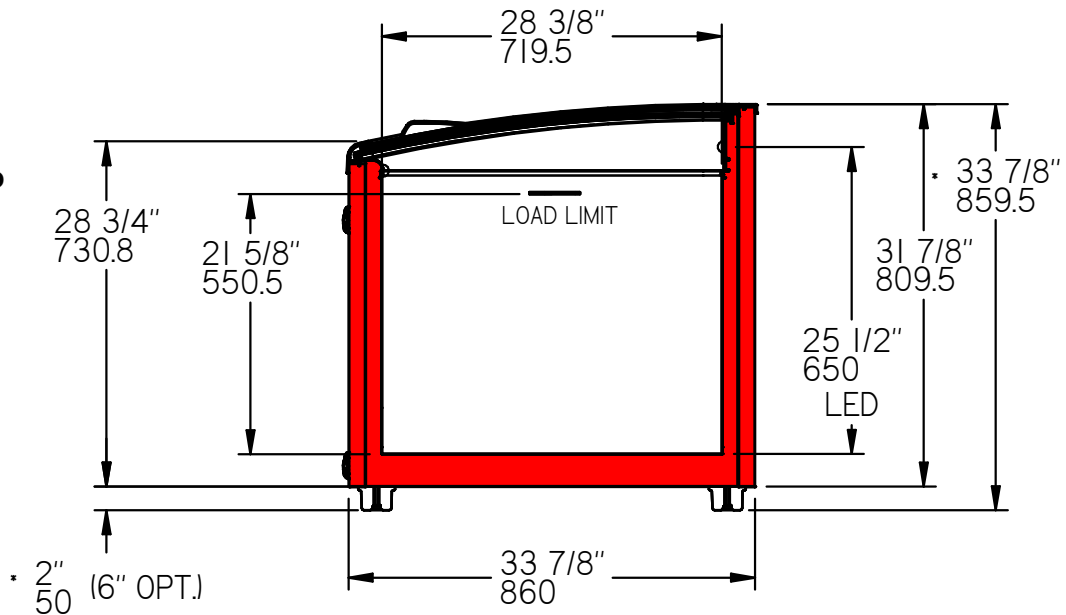
URANO 2 R290 VS

PAGE 1

HEAD "C"



LINE-UP



\* CASE HEIGHT WILL VARY BASED ON LEG SELECTION

D2U00128

UPDATED: 11/08/2019

REV 02



Intertek  
31690007



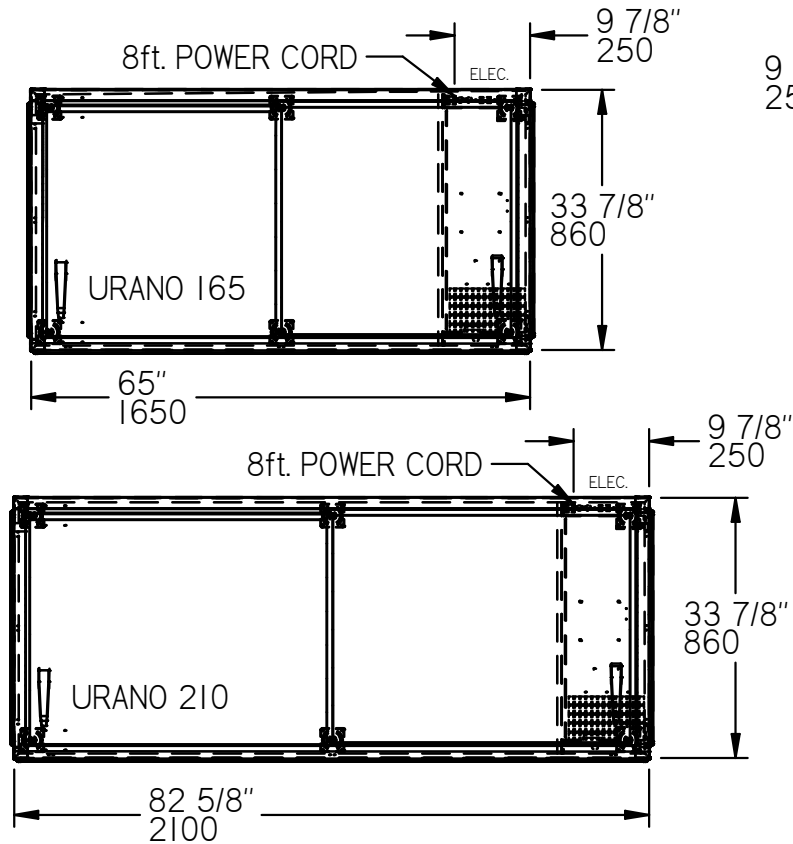
Intertek  
31690007

ARNEG RESERVES THE RIGHT TO CHANGE OR REVISE SPECIFICATIONS AND PRODUCT DESIGN IN CONNECTION WITH ANY FEATURE OF ITS PRODUCTS. SUCH CHANGES DO NOT ENTITLE THE BUYER TO CORRESPONDING CHANGES, IMPROVEMENTS, ADDITIONS, OR REPLACEMENTS FOR EQUIPMENT PREVIOUSLY SOLD OR SHIPPED. CASE DESIGN CONDITION NOT TO EXCEED 75° F & 55% RH

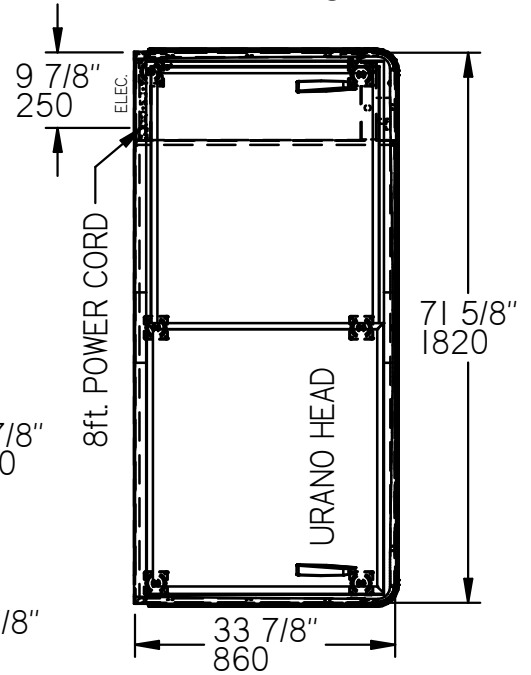


USA

LINE-UPS



HEAD "C"



Intertek  
31690007



Intertek  
31690007

ARNEG RESERVES THE RIGHT TO CHANGE OR REVISE SPECIFICATIONS AND PRODUCT DESIGN IN CONNECTION WITH ANY FEATURE OF ITS PRODUCTS. SUCH CHANGES DO NOT ENTITLE THE BUYER TO CORRESPONDING CHANGES, IMPROVEMENTS, ADDITIONS, OR REPLACEMENTS FOR EQUIPMENT PREVIOUSLY SOLD OR SHIPPED. CASE DESIGN CONDITION NOT TO EXCEED 75° F & 55% RH



USA

Lighting Characteristics						
Case Model	Fluorescent T8 Lighting Canopy		LED Lighting			
	Amps	Watts	Shelving		Interior	
			Amps	Watts	Amps	Watts
165	N/A	N/A	N/A	N/A	1.33	31.9
210	N/A	N/A	N/A	N/A	1.81	43.5
TST"C"	N/A	N/A	N/A	N/A	1.45	34.8

Electrical Characteristics													
Case Model	Supply Voltage	Evaporater Fan Motor			Condenser Fan Motor			Anti-Mist Heater			Draining Heater		
		Quantity	Amps	Watts	Quantity	Amps	Watts	Quantity	Amps	Watts	Quantity	Amps	Watts
165	120	N/A	N/A	N/A	1	0.18	21	0	0.00	0	1	0.38	43.7
210	120	N/A	N/A	N/A	1	0.18	21	0	0.00	0	1	0.44	50.6
TST"C"	120	N/A	N/A	N/A	1	0.18	21	0	0.00	0	1	0.41	46.9

Compressor Characteristics @ -31 /+113°F (-35/ +45°C) @ 4500rpm					
Case Model	Quantity	RLA Total Amps	Total Watts	R290 (Kg/oz)	Model (Variable Speed Drive Compressor)
165	1	2.64	566	0,105 / 3,7	NLV12.6CN 120V/60Hz
210	1	2.64	566	0,12 / 4,23	NLV12.6CN 120V/60Hz
TST"C"	1	2.64	566	0,105 / 3,7	NLV12.6CN 120V/60Hz

Case Total Power (Refrigeration)			
Case Model	Supply Voltage	Total Amps	Total Watts
165	120	4.5	653
210	120	4.9	665
TST"C"	120	4.6	656

Case Total Power (Defrost)			
Case Model	Supply Voltage	Total Amps	Total Watts
165	120	4.93	784.6
210	120	5.48	814.7
TST"C"	120	5.08	793.6

Circuit Requirements						
Case Model	Supply Voltage	Phase	HZ	M.C.A. (Amps)	M.O.P. (Amps)	Nema Plug Type
165	120	1	60	15	15	5-20P
210	120	1	60	15	15	5-20P
TST"C"	120	1	60	15	15	5-20P

Case Length		
Case Model	Case Length w/Ends (mm/ft)	Case Length No Ends (mm/ft)
165	1650/5.41	1510/4.95
210	2100/6.89	1960/6.43
TST"C"	1820/5.97	1680/5.51

Case Settings	
Set Point	Differential
-15°F	1°F

1. ArnegUSA refrigerated display cases for sale in the United States meet or exceed Department of Energy 2017 energy efficiency requirements.



ARNEG RESERVES THE RIGHT TO CHANGE OR REVISE SPECIFICATIONS AND PRODUCT DESIGN IN CONNECTION WITH ANY FEATURE OF ITS PRODUCTS. SUCH CHANGES DO NOT ENTITLE THE BUYER TO CORRESPONDING CHANGES, IMPROVEMENTS, ADDITIONS, OR REPLACEMENTS FOR EQUIPMENT PREVIOUSLY SOLD OR SHIPPED. CASE DESIGN CONDITION NOT TO EXCEED 75° F & 55% RH