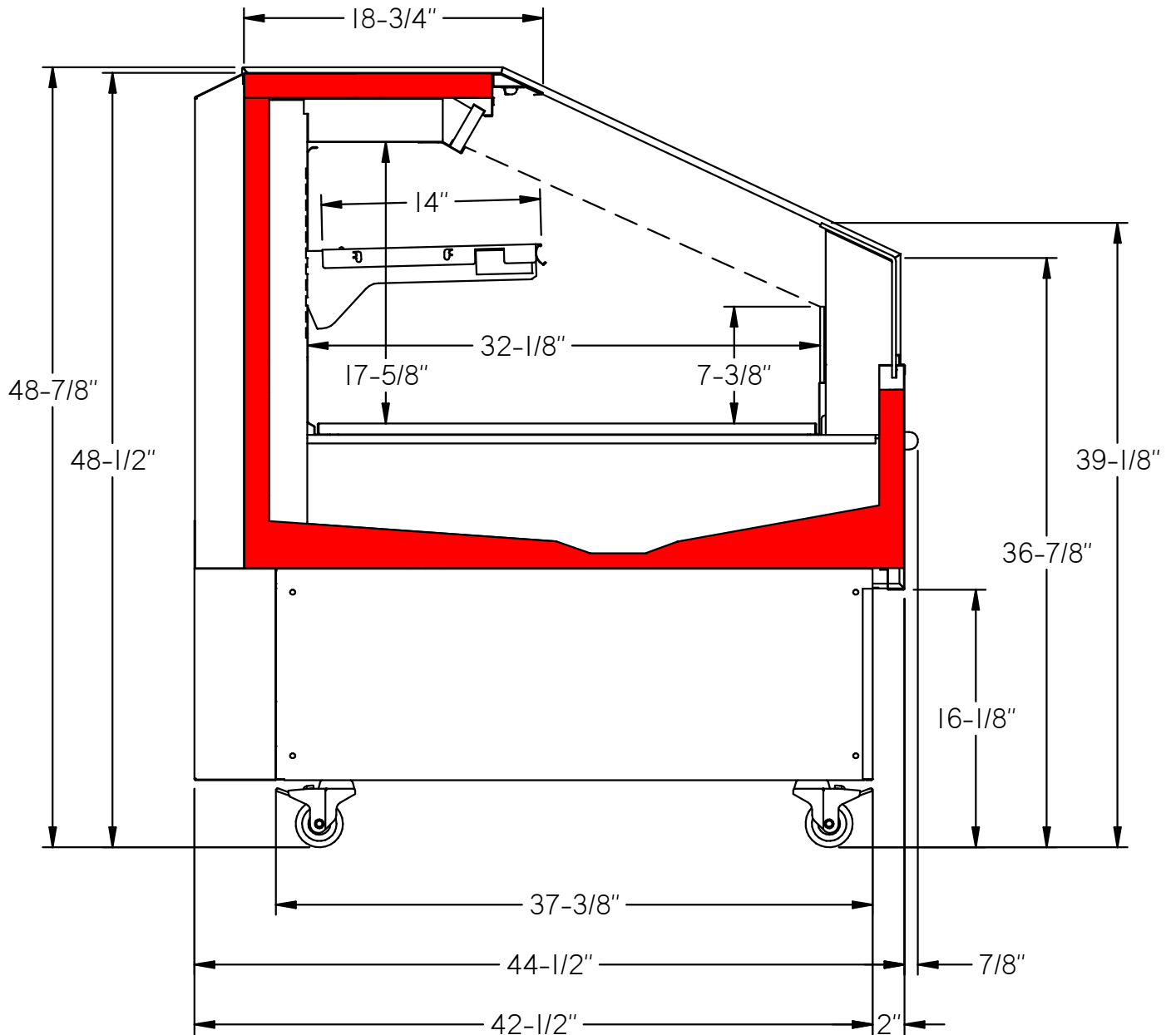




USA

CLEMMONS SELF-CONTAINED

PAGE 1



D2U00121

UPDATED: 10/09/2019

REV 01



Intertek
31690007



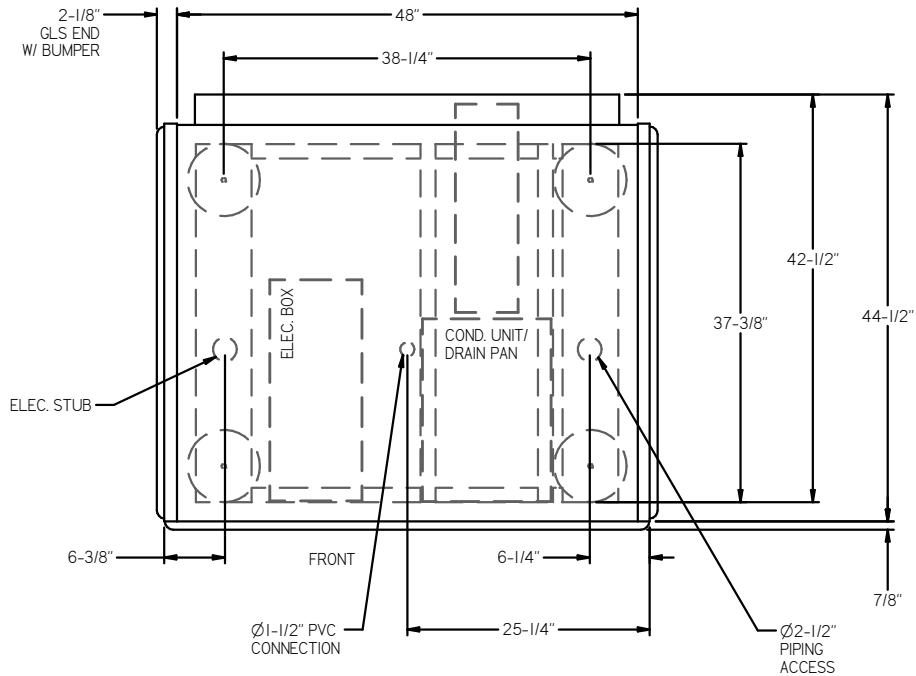
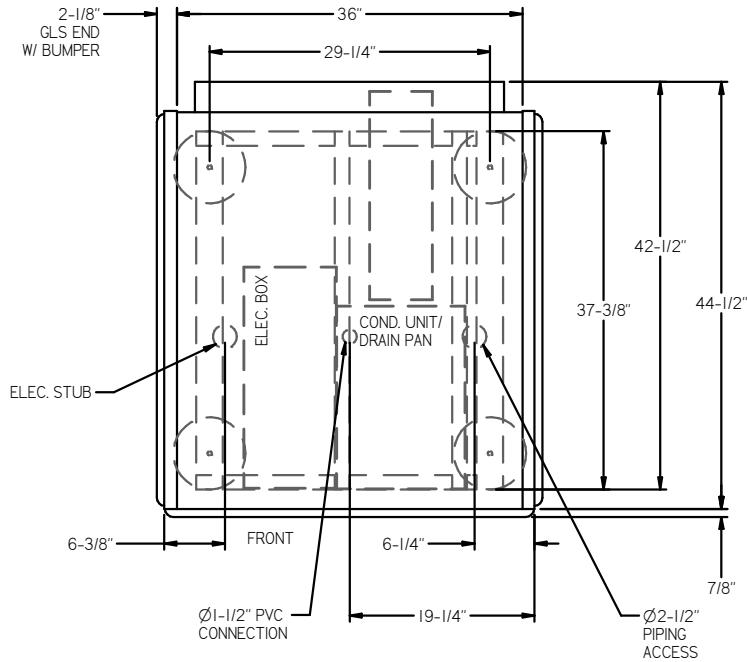
Intertek
31690007

ARNEG RESERVES THE RIGHT TO CHANGE OR REVISE SPECIFICATIONS AND PRODUCT DESIGN IN CONNECTION WITH ANY FEATURE OF ITS PRODUCTS. SUCH CHANGES DO NOT ENTITLE THE BUYER TO CORRESPONDING CHANGES, IMPROVEMENTS, ADDITIONS, OR REPLACEMENTS FOR EQUIPMENT PREVIOUSLY SOLD OR SHIPPED. CASE DESIGN CONDITION NOT TO EXCEED 75° F & 55% RH



USA

CLEMMONS SELF-CONTAINED



D2U00121

UPDATED: 10/09/2019

REV 01



Intertek
31690007

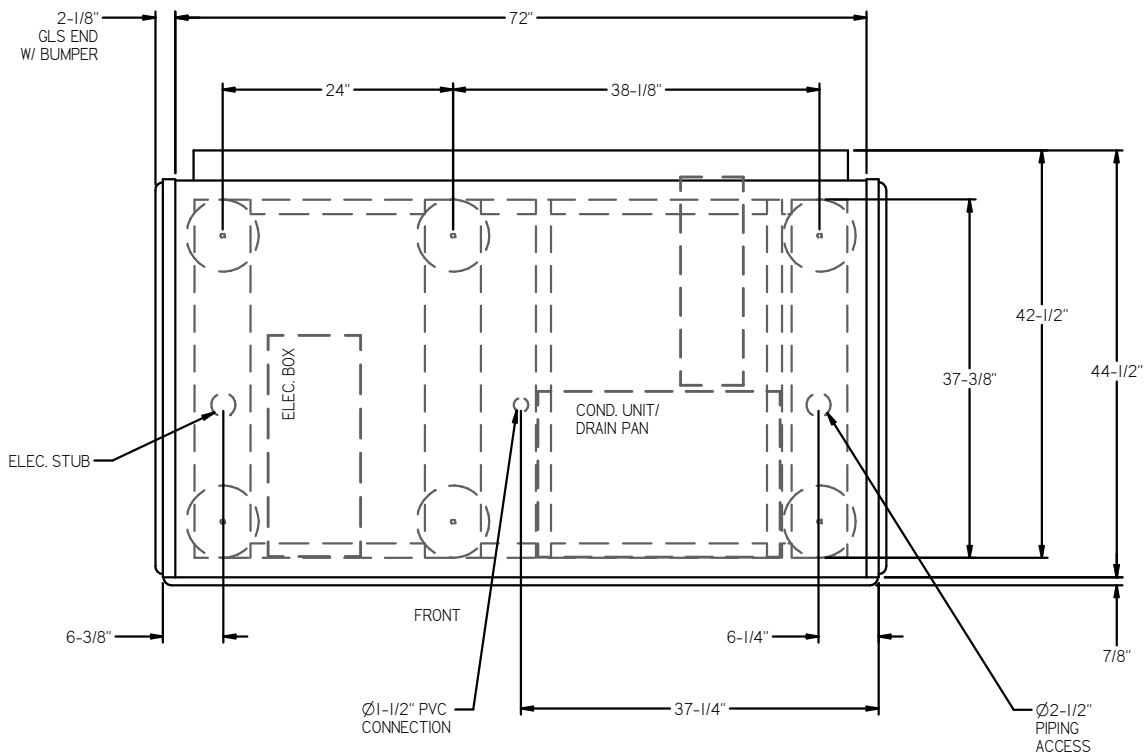


Intertek
31690007

ARNEG RESERVES THE RIGHT TO CHANGE OR REVISE SPECIFICATIONS AND PRODUCT DESIGN IN CONNECTION WITH ANY FEATURE OF ITS PRODUCTS. SUCH CHANGES DO NOT ENTITLE THE BUYER TO CORRESPONDING CHANGES, IMPROVEMENTS, ADDITIONS, OR REPLACEMENTS FOR EQUIPMENT PREVIOUSLY SOLD OR SHIPPED. CASE DESIGN CONDITION NOT TO EXCEED 75° F & 55% RH



USA



D2U00121

UPDATED: 10/09/2019

REV 01



ARNEG RESERVES THE RIGHT TO CHANGE OR REVISE SPECIFICATIONS AND PRODUCT DESIGN IN CONNECTION WITH ANY FEATURE OF ITS PRODUCTS. SUCH CHANGES DO NOT ENTITLE THE BUYER TO CORRESPONDING CHANGES, IMPROVEMENTS, ADDITIONS, OR REPLACEMENTS FOR EQUIPMENT PREVIOUSLY SOLD OR SHIPPED. CASE DESIGN CONDITION NOT TO EXCEED 75° F & 55% RH



USA

Electrical Characteristics											
Case Model	Evaporator Fan Motor			Condenser Fan Motor			Lighting			Condensate Pan	
	Quantity	Amps	Watts	Quantity	Amps	Watts	Quantity	Amps	Watts	Amps	Watts
3ft	TBD	TBD	TBD	TBD	TBD	TBD	TBD	TBD	TBD	TBD	TBD
4ft	1	0.11	15	1	0.74	16	2	0.16	18	6.25	750
6ft	TBD	TBD	TBD	TBD	TBD	TBD	TBD	TBD	TBD	TBD	TBD

Compressor Characteristics @ +20/ +120°F (-6.7/ +48.9°C)									
Case Model	Quantity	Volts	Frequency (Hz)	Phase	RLA (Amps)	LRA (Amps)	Total Watts	Charge 449A (oz)	Model
3ft	1	120	60	1	TBD	TBD	TBD	TBD	TBD
4ft	1	120	60	1	7.2	39	1404	49	NEU6212GK
6ft	1	TBD	60	1	TBD	TBD	TBD	TBD	TBD

Case Max Power (Refrigeration)			
Case Model	Supply Voltage	Total Amps	Total Watts
3ft	120	TBD	TBD
4ft	120	14.5	2203.0
6ft	TBD	TBD	TBD

Circuit Requirements								
Case Model	Supply Voltage	Phase	HZ	Rated Amps	Minimum Circuit Ampacity (MCA)	Maximum Overcurrent Protection Device (MOPD)	Nema Plug Type	Cord Length (Ft)
3ft	120	1	60	TBD	TBD	TBD	TBD	10
4ft	120	1	60	14.5	18.1	25.0	5-20P	10
6ft	TBD	1	60	TBD	TBD	TBD	TBD	10

Case Specifications				
Application	Controller Set Point (°F)	Discharge Air (°F)	Return Air (°F)	Discharge Air Velocity (FPM)
3ft	20	26	36	300
4ft	20	26	36	300
6ft	20	26	36	300

Defrost Settings					
Application	Defrost Type	Defrost Cycles (Day)	Max Defrost (Min)	Termination Temperature (°F)	Drip Time (Min)
3ft	Off Cycle	6	30	45	0
4ft	Off Cycle	6	30	45	0
6ft	Off Cycle	6	30	45	0

*Average Discharge Air Velocity measure five minutes after defrost.

D2U00121

UPDATED: 10/09/2019

REV 01



ARNEG RESERVES THE RIGHT TO CHANGE OR REVISE SPECIFICATIONS AND PRODUCT DESIGN IN CONNECTION WITH ANY FEATURE OF ITS PRODUCTS. SUCH CHANGES DO NOT ENTITLE THE BUYER TO CORRESPONDING CHANGES, IMPROVEMENTS, ADDITIONS, OR REPLACEMENTS FOR EQUIPMENT PREVIOUSLY SOLD OR SHIPPED. CASE DESIGN CONDITION NOT TO EXCEED 75° F & 55% RH