

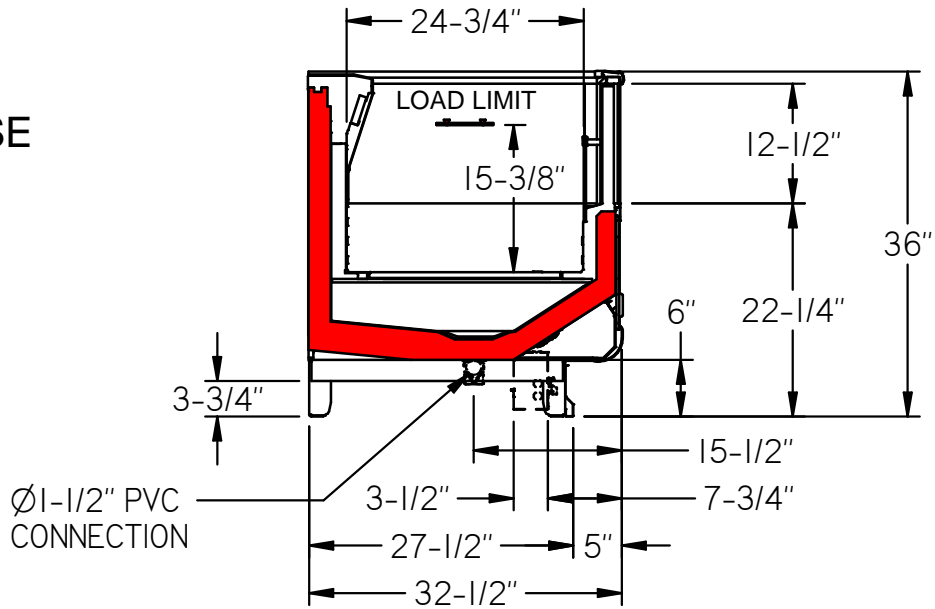


USA

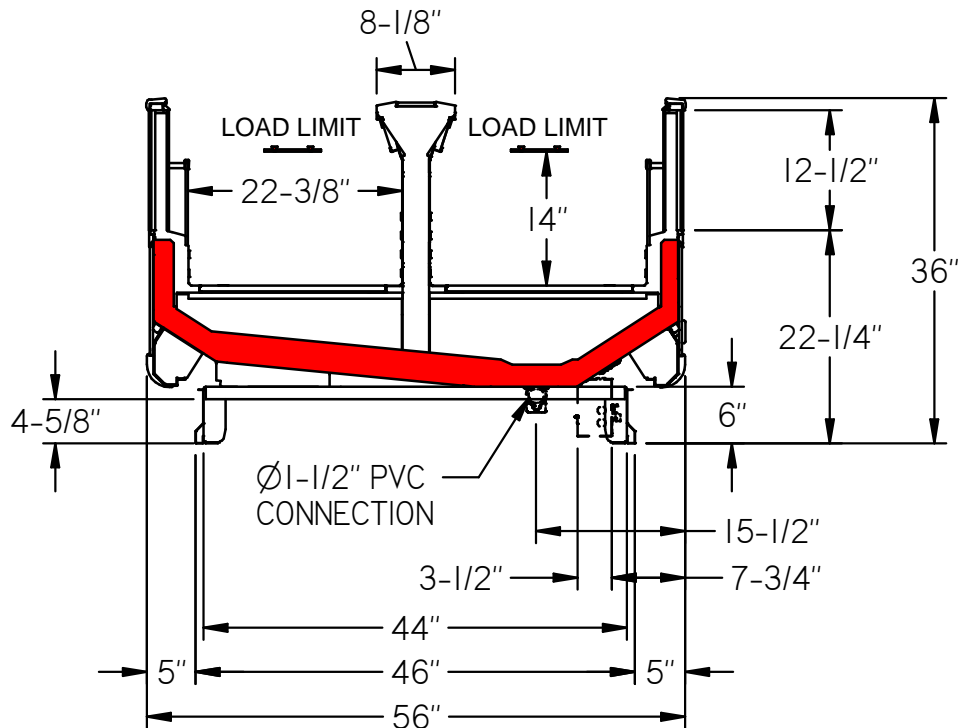
MINI MALMOE G3

PAGE 1

HEAD CASE



LINE-UP



D2U00060

05/18/2020

REV 02



Intertek
31690007

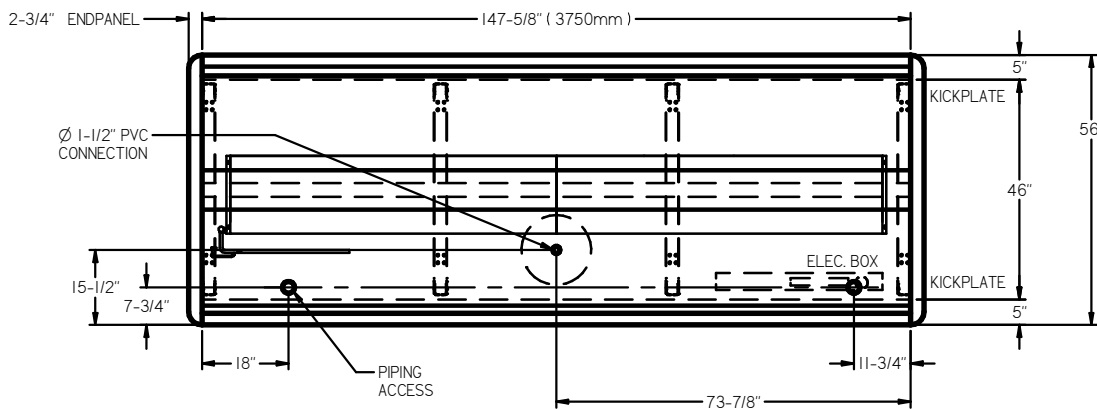
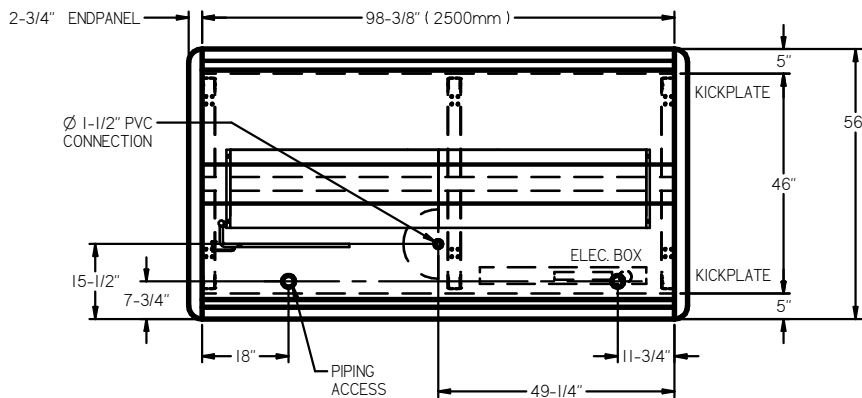
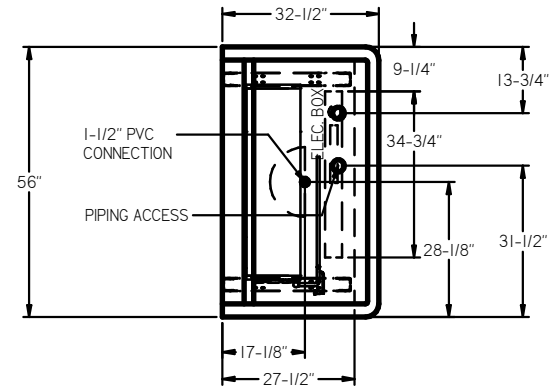
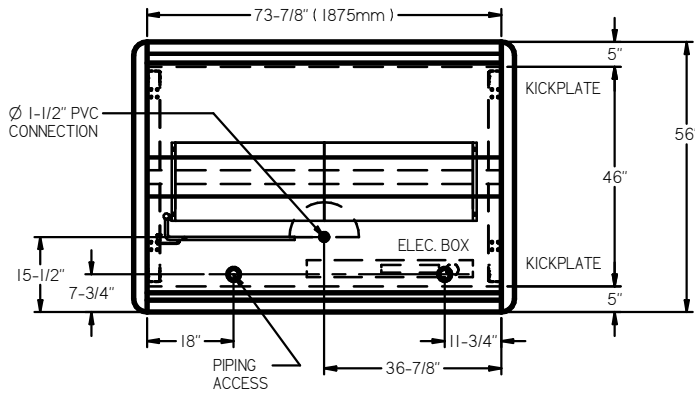


Intertek
31690007

ARNEG RESERVES THE RIGHT TO CHANGE OR REVISE SPECIFICATIONS AND PRODUCT DESIGN IN CONNECTION WITH ANY FEATURE OF ITS PRODUCTS. SUCH CHANGES DO NOT ENTITLE THE BUYER TO CORRESPONDING CHANGES, IMPROVEMENTS, ADDITIONS, OR REPLACEMENTS FOR EQUIPMENT PREVIOUSLY SOLD OR SHIPPED. CASE DESIGN CONDITION NOT TO EXCEED 75° F & 55% RH

LINE-UPS

HEAD CASE



PIPING CONNECTIONS:

- STANDARD DX - SUCTION LINE = Ø 5/8", LIQUID LINE = Ø 3/8"
- CO2 - SUCTION LINE = Ø 1/2", LIQUID LINE = Ø 3/8"

D2U00060

05/18/2020

REV 02



ARNEG RESERVES THE RIGHT TO CHANGE OR REVISE SPECIFICATIONS AND PRODUCT DESIGN IN CONNECTION WITH ANY FEATURE OF ITS PRODUCTS. SUCH CHANGES DO NOT ENTITLE THE BUYER TO CORRESPONDING CHANGES, IMPROVEMENTS, ADDITIONS, OR REPLACEMENTS FOR EQUIPMENT PREVIOUSLY SOLD OR SHIPPED. CASE DESIGN CONDITION NOT TO EXCEED 75° F & 55% RH



USA

Electrical Characteristics @ 120V

Case Length	Fan Quantity	High-Efficiency Fans		Anti-Condensate Heaters		Anti-Condensate Heaters Per Glass End	
		Amps	Watts	Amps	Watts	Amps	Watts
Head	2	0.32	27.5	0.76	92.34	N/A	N/A
6.15 Ft /1875 mm	3	0.48	41.25	1.02	122.8	0.23	28.78
8.2 Ft /2500 mm	4	0.64	55	1.32	159.28	0.23	28.78
12.3 Ft /3750 mm	6	0.96	82.5	1.89	227.9	0.23	28.78

Defrost Heater Electrical Characteristics @ 208V

Case Length	Coil Heater (Medium Temp)		Coil Heater (Low Temp)	
	Amps	Watts	Amps	Watts
Head	1.58	270	4.74	810
6.15 Ft /1875 mm	3.31	564	9.95	1692
8.2 Ft /2500 mm	4.42	752	13.26	2256
12.3 Ft /3750 mm	6.73	1145	20.19	3435

Refrigeration Characteristics

Application	BTUH/Ft		SST (°F)	SuperHeat (°F)	Discharge Air (°F)	Discharge Air Velocity (FPM)
	Parallel	Conv.				
Medium	345	355	21	6-8	29	250
Frozen	595	625	-24	4-6	-15	250
Ice Cream	615	650	-30	4-6	-20	250

Head Refrigeration Characteristics

Application	Total BTUH		SST (°F)	SuperHeat (°F)	Discharge Air (°F)	Discharge Air Velocity (FPM)
	Parallel	Conv.				
Medium	1470	1510	21	6-8	29	250
Frozen	2530	2660	-24	4-6	-15	250
Ice Cream	2615	2765	-30	4-6	-20	250

Defrost Settings

Defrost Type	Defrosts (Day)	Fail Safe (Min.)	Termination Temperature (°F)	Drip Time (Min)
Off Cycle	N/A	N/A	N/A	N/A
Electric	2	40	50°F	0
Hot Gas	2	20	50°F	15

NOTES

1. ArnegUSA refrigerated display cases for sale in the United States meet or exceed Department of Energy 2017 energy efficiency requirements.
2. Variations on Lighting brands may be available upon request and Engineering review.
3. Recommended Settings for Conventional Discharge Air Control: Cut-In Temp = Field Discharge Air +2°F, Cut-Out Temp = Field Discharge Air -2°F.
4. Average Discharge Air Velocity measured five minutes after defrost.
5. Refrigeration and electrical data includes both sides of the case.
6. Amps are taken from electrical nameplate values, watts are actual recorded values from laboratory measurements.
7. When using high glide refrigerants please use the refrigerant manufacturers instructions for measuring superheat.
8. Temperature and defrost settings listed above are recommended start up settings. Final operational settings may need to be adjusted based on store conditions.

D2U00060

05/18/2020

REV 02



ARNEG RESERVES THE RIGHT TO CHANGE OR REVISE SPECIFICATIONS AND PRODUCT DESIGN IN CONNECTION WITH ANY FEATURE OF ITS PRODUCTS. SUCH CHANGES DO NOT ENTITLE THE BUYER TO CORRESPONDING CHANGES, IMPROVEMENTS, ADDITIONS, OR REPLACEMENTS FOR EQUIPMENT PREVIOUSLY SOLD OR SHIPPED. CASE DESIGN CONDITION NOT TO EXCEED 75° F & 55% RH