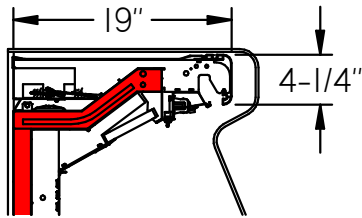




USA

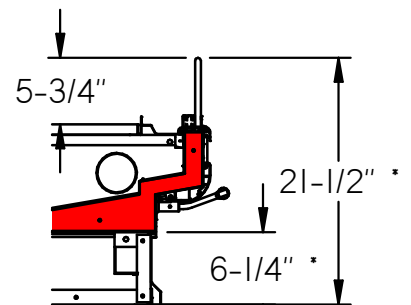
ALTONA 95/125

PAGE 1

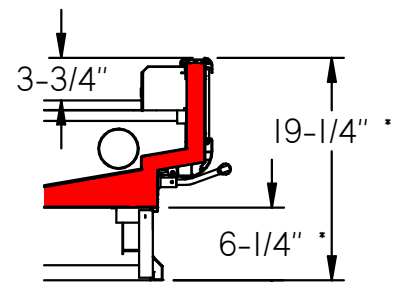


FLAT NOSE CANOPY

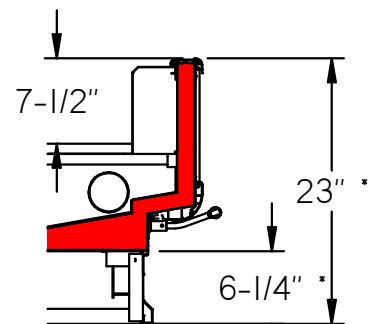
* SUBTRACT 2-1/4" WITH LOW LEG OPTION



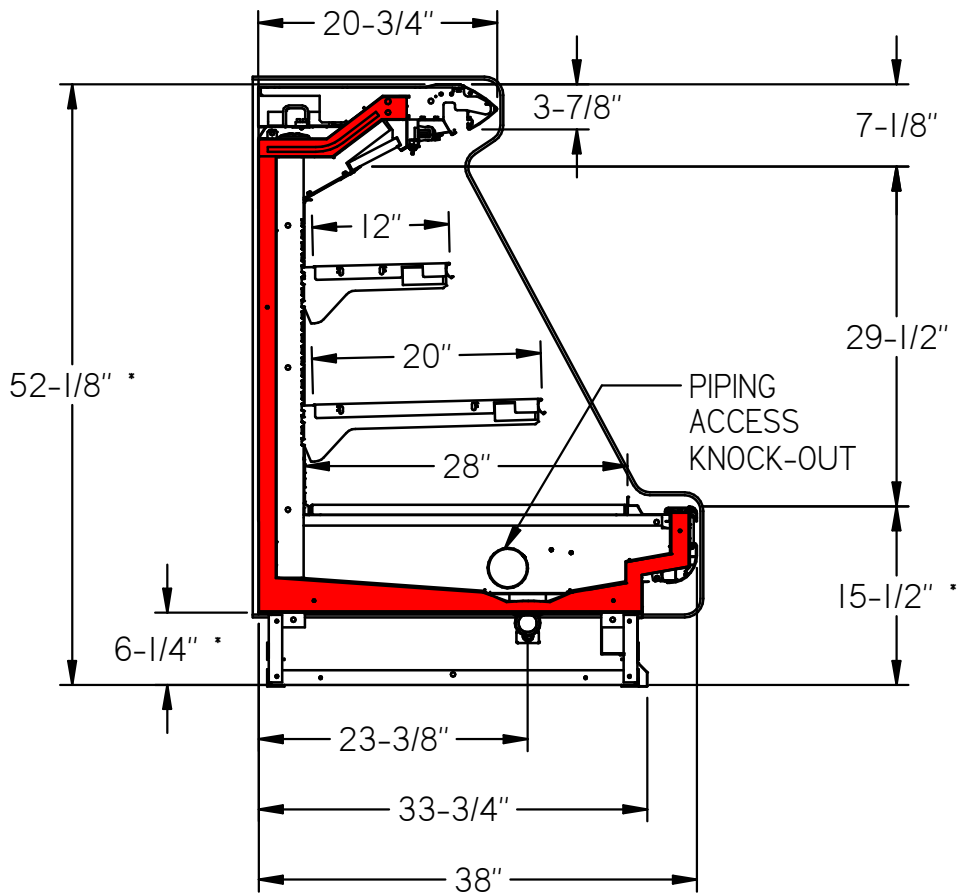
LOW FRONT W/ PLEXI



MEDIUM FRONT



HIGH FRONT



LOW FRONT

D2U00015

05/14/2020

REV 02

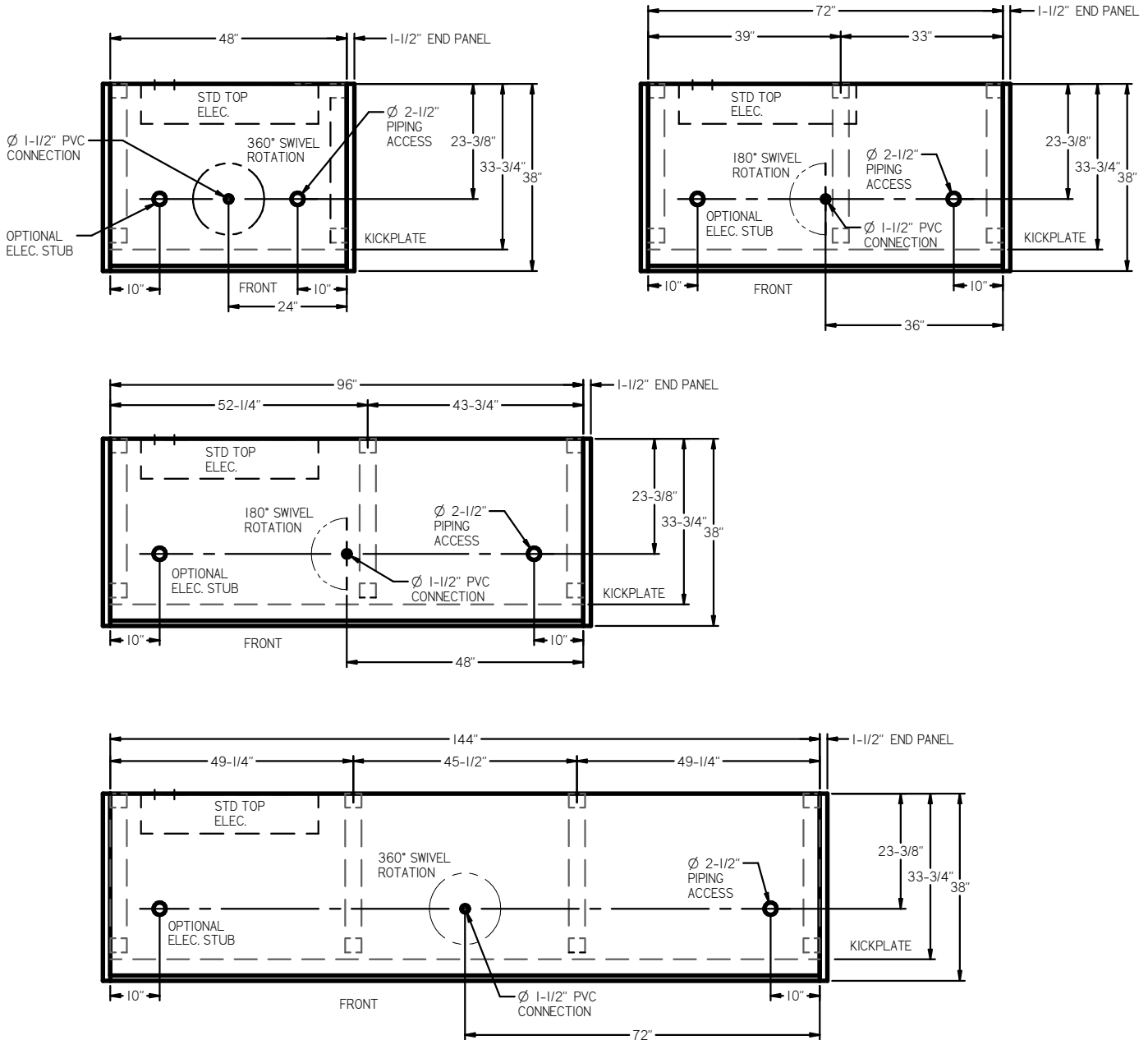


Intertek 31690007



Intertek 31690007

ARNEG RESERVES THE RIGHT TO CHANGE OR REVISE SPECIFICATIONS AND PRODUCT DESIGN IN CONNECTION WITH ANY FEATURE OF ITS PRODUCTS. SUCH CHANGES DO NOT ENTITLE THE BUYER TO CORRESPONDING CHANGES, IMPROVEMENTS, ADDITIONS, OR REPLACEMENTS FOR EQUIPMENT PREVIOUSLY SOLD OR SHIPPED. CASE DESIGN CONDITION NOT TO EXCEED 75° F & 55% RH



PIPING CONNECTIONS:

- STANDARD DX - SUCTION LINE = \varnothing 7/8", LIQUID LINE = \varnothing 3/8"
- CO2 - SUCTION LINE = \varnothing 1/2" (4FT, 6FT, 8FT) 5/8" (12FT), LIQUID LINE = \varnothing 3/8"

D2U00015

05/14/2020

REV 02



Intertek
31690007



Intertek
31690007

ARNEG RESERVES THE RIGHT TO CHANGE OR REVISE SPECIFICATIONS AND PRODUCT DESIGN IN CONNECTION WITH ANY FEATURE OF ITS PRODUCTS. SUCH CHANGES DO NOT ENTITLE THE BUYER TO CORRESPONDING CHANGES, IMPROVEMENTS, ADDITIONS, OR REPLACEMENTS FOR EQUIPMENT PREVIOUSLY SOLD OR SHIPPED. CASE DESIGN CONDITION NOT TO EXCEED 75° F & 55% RH



USA

Lighting Characteristics @ 120V

Case Length	Arneg LED Lighting (Per Row)					
	Shelving		Canopy (Normal)		Canopy (Warm)	
	Amps	Watts	Amps	Watts	Amps	Watts
4'	0.08	10	0.16	20	0.16	20
6'	0.13	15	0.26	30	0.26	30
8'	0.17	20	0.33	40	0.33	40
12'	0.25	30	0.5	60	0.5	60

Electrical Characteristics @ 120V

Case Length	Fan Quantity	High-Efficiency Fans (ECM)			
		Meat		Dairy	
		Amps	Watts	Amps	Watts
4'	1	0.11	1.75	0.11	1.75
6'	2	0.22	3.5	0.22	3.5
8'	3	0.33	5.25	0.33	5.25
12'	4	0.44	7	0.44	7

Refrigeration Characteristics

Front Height	Application	BTUH/Ft		SST (°F)	SuperHeat (°F)	Discharge Air (°F)	Discharge Air Velocity (FPM)
		Parallel	Conv.				
Low	Meat	750	850	23	6-8	28	200
Low	Dairy/Deli/Cut Produce	690	750	26	6-8	31	200
Low w/Plexi	Meat	690	780	23	6-8	28	200
Low w/Plexi	Dairy/Deli/Cut Produce	640	700	26	6-8	31	200
Medium	Meat	690	780	23	6-8	28	200
Medium	Dairy/Deli/Cut Produce	640	700	26	6-8	31	200
High	Meat	650	740	23	6-8	28	200
High	Dairy/Deli/Cut Produce	600	655	26	6-8	31	200

Defrost Settings

Defrost Type	Defrosts (Day)	Fail Safe (Min.)	Termination Temperature (°F)	Drip Time (Min)
Off Cycle / Dairy	4	30	45°F	0
Off Cycle / Meat	6	30	45°F	0

NOTES

1. ArnegUSA refrigerated display cases for sale in the United States meet or exceed Department of Energy 2017 energy efficiency requirements.
2. Add 13 BTUH/ Ft per row of additional LED canopy lighting. Add 10 BTUH/Ft per row of LED shelf lighting.
3. Variations on Lighting brands may be available upon request and Engineering review.
4. Recommended Settings for Conventional Discharge Air Control: Cut-In Temp = Field Discharge Air +2°F, Cut-Out Temp = Field Discharge Air -2°F.
5. Average Discharge Air Velocity measured five minutes after defrost.
6. Listed evaporator temperature indicates unlighted shelves. For lighted shelves and/or aftermarket merchandising accessories, reduce the listed evaporator temperature by 2°F.
7. Amps are taken from electrical nameplate values, watts are actual recorded values from laboratory measurements.
8. When using high glide refrigerants please use the refrigerant manufacturers instructions for measuring superheat.
9. Temperature and defrost settings listed above are recommended start up settings. Final operational settings may need to be adjusted based on store conditions.

D2U00015

05/14/2020

REV 02



ARNEG RESERVES THE RIGHT TO CHANGE OR REVISE SPECIFICATIONS AND PRODUCT DESIGN IN CONNECTION WITH ANY FEATURE OF ITS PRODUCTS. SUCH CHANGES DO NOT ENTITLE THE BUYER TO CORRESPONDING CHANGES, IMPROVEMENTS, ADDITIONS, OR REPLACEMENTS FOR EQUIPMENT PREVIOUSLY SOLD OR SHIPPED. CASE DESIGN CONDITION NOT TO EXCEED 75° F & 55% RH