

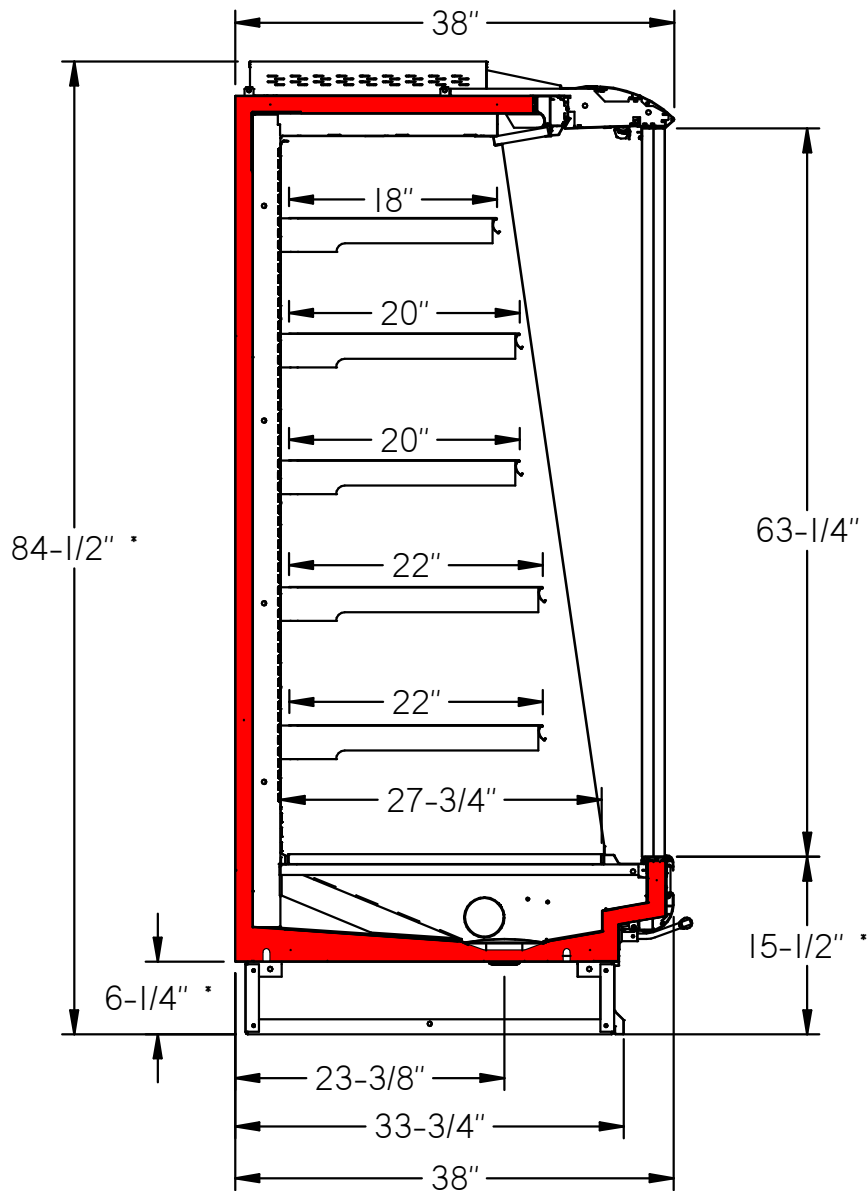


USA

BRAGA 95/200

PAGE 1

* SUBTRACT 2-1/4"
WITH LOW LEG OPTION



D2U00073

05/14/2020

REV 05

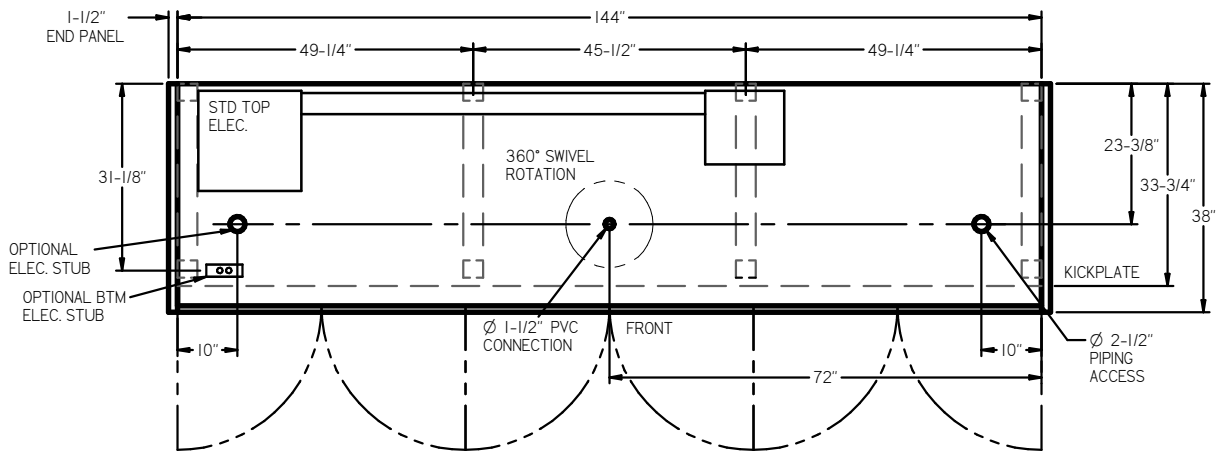
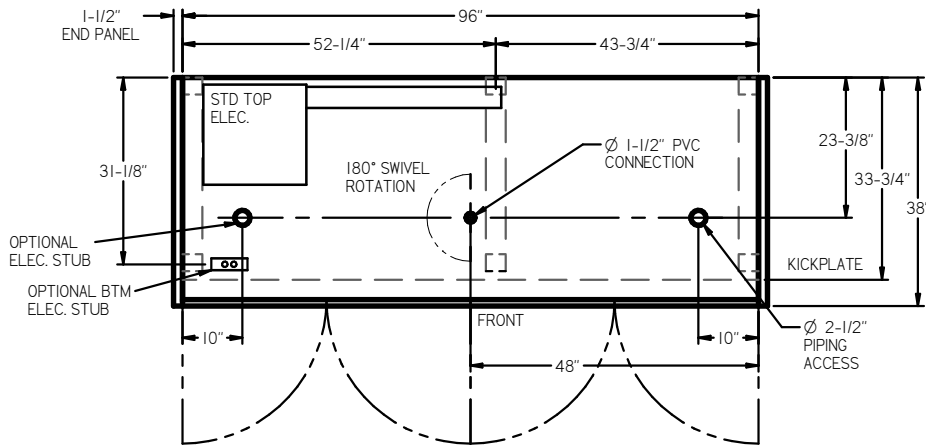


Intertek
31690007



Intertek
31690007

ARNEG RESERVES THE RIGHT TO CHANGE OR REVISE SPECIFICATIONS AND PRODUCT DESIGN IN CONNECTION WITH ANY FEATURE OF ITS PRODUCTS. SUCH CHANGES DO NOT ENTITLE THE BUYER TO CORRESPONDING CHANGES, IMPROVEMENTS, ADDITIONS, OR REPLACEMENTS FOR EQUIPMENT PREVIOUSLY SOLD OR SHIPPED. CASE DESIGN CONDITION NOT TO EXCEED 75° F & 55% RH



PIPING CONNECTIONS:

- STANDARD DX - SUCTION LINE = Ø 7/8", LIQUID LINE = Ø 3/8"
- CO2 - SUCTION LINE = Ø 1/2" (4FT, 6FT, 8FT) 5/8" (12FT), LIQUID LINE = Ø 3/8"

D2U00073

05/14/2020

REV 05



Intertek
31690007



Intertek
31690007

ARNEG RESERVES THE RIGHT TO CHANGE OR REVISE SPECIFICATIONS AND PRODUCT DESIGN IN CONNECTION WITH ANY FEATURE OF ITS PRODUCTS. SUCH CHANGES DO NOT ENTITLE THE BUYER TO CORRESPONDING CHANGES, IMPROVEMENTS, ADDITIONS, OR REPLACEMENTS FOR EQUIPMENT PREVIOUSLY SOLD OR SHIPPED. CASE DESIGN CONDITION NOT TO EXCEED 75° F & 55% RH



USA

Lighting Characteristics @ 120V								
Case Length	Arneg LED Lighting (Per Row)						Anthony Optimax	
	Shelving		Canopy (Normal)		Canopy (Warm)		Mullion	
	Amps	Watts	Amps	Watts	Amps	Watts	Amps	Watts
4'	0.8	10	0.16	20	0.16	20	0.3	36
6'	0.13	15	0.26	30	0.26	30	0.45	54
8'	0.17	20	0.33	40	0.33	40	0.6	72
12'	0.25	30	0.5	60	0.5	60	0.9	108

Electrical Characteristics @ 120V					
Case Length	Fan Quantity	High-Efficiency Fans		Frame Anti-Condensate Heaters	
		Meat / Dairy		Anthony - I060	
		Amps	Watts	Amps	Watts
4'	1	0.11	2.35	0.49	58.2
6'	2	0.22	4.7	0.9	108.3
8'	3	0.33	7.05	0.86	103.7
12'	4	0.44	9.4	1.22	149.3

Refrigeration Characteristics							
Door Type	Application	BTUH/Ft		SST (°F)	SuperHeat (°F)	Discharge Air (°F)	Discharge Air Velocity (FPM)
		Parallel	Conv.				
Anthony - I060	Dairy	225	235	31	6-8	35	200
Anthony - I060	Meat	261	272	27	6-8	31	200

Defrost Settings				
Defrost Type	Defrosts (Day)	Fail Safe (Min.)	Termination Temperature (°F)	Drip Time (Min)
Off Cycle / Dairy	2	30	40	0
Off Cycle / Meat	3	30	40	0

NOTES

1. ArnegUSA refrigerated display cases for sale in the United States meet or exceed Department of Energy 2017 energy efficiency requirements.
2. Add 13 BTUH/ Ft per row of additional LED canopy lighting. Add 10 BTUH/Ft per row of LED shelf lighting. Add 12 BTUH/ft for mullion lighting.
3. Variations on Lighting brands may be available upon request and Engineering review. Shelf lighting is not recommended with mullion lighting.
4. Recommended Settings for Conventional Discharge Air Control: Cut-In Temp = Field Discharge Air +2°F, Cut-Out Temp = Field Discharge Air -2°F.
5. Average Discharge Air Velocity measured five minutes after defrost.
6. Listed evaporator temperature indicates unlighted shelves. For lighted shelves and/or aftermarket merchandising accessories, reduce the listed evaporator temperature by 2°F.
7. Amps are taken from electrical nameplate values, watts are actual recorded values from laboratory measurements.
8. When using high glide refrigerants please use the refrigerant manufacturers instructions for measuring superheat.
9. Temperature and defrost settings listed above are recommended start up settings. Final operational settings may need to be adjusted based on store conditions.



ARNEG RESERVES THE RIGHT TO CHANGE OR REVISE SPECIFICATIONS AND PRODUCT DESIGN IN CONNECTION WITH ANY FEATURE OF ITS PRODUCTS. SUCH CHANGES DO NOT ENTITLE THE BUYER TO CORRESPONDING CHANGES, IMPROVEMENTS, ADDITIONS, OR REPLACEMENTS FOR EQUIPMENT PREVIOUSLY SOLD OR SHIPPED. CASE DESIGN CONDITION NOT TO EXCEED 75° F & 55% RH