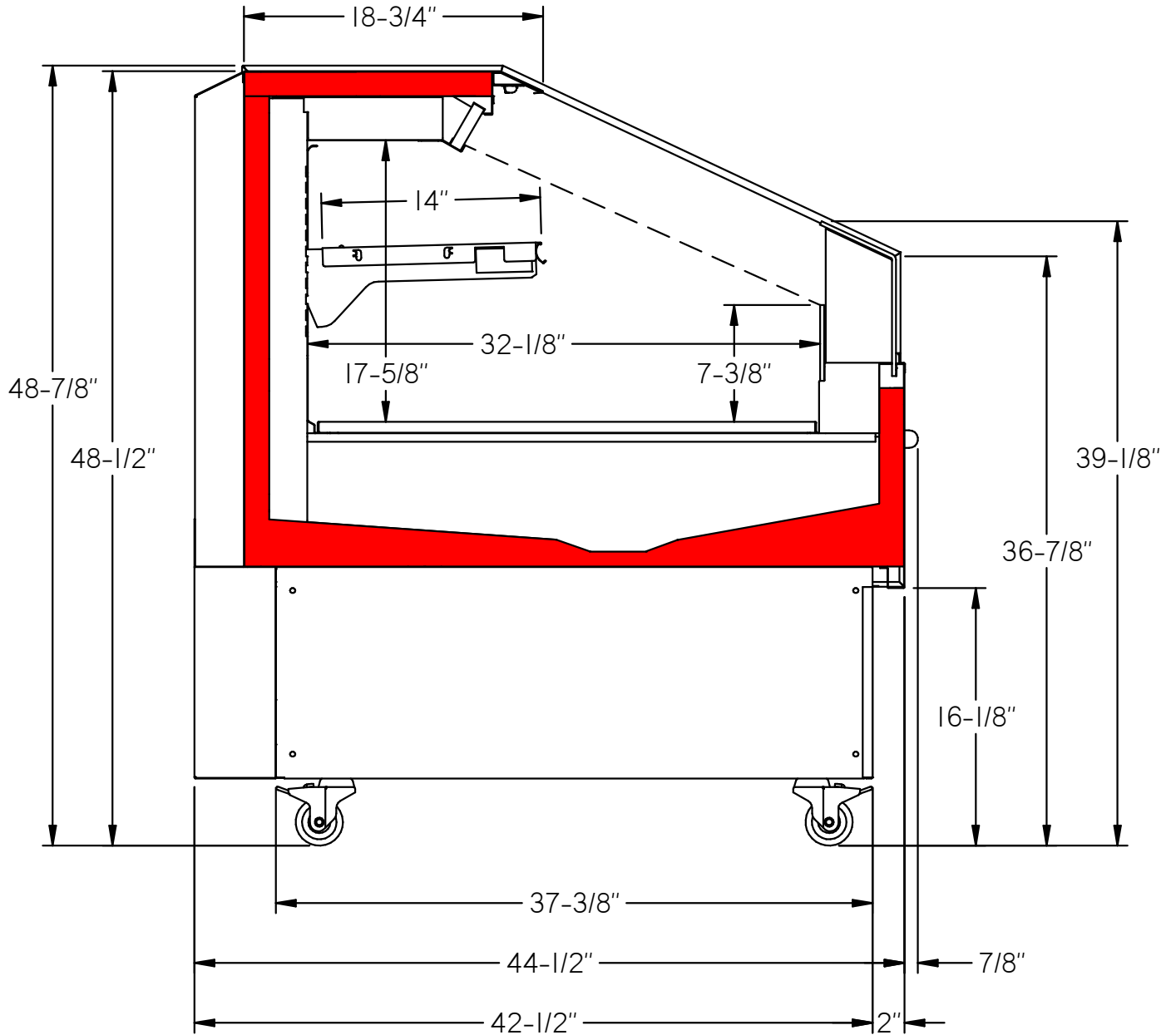




USA

CLEMMONS SELF-CONTAINED

PAGE 1



D2U00121

05/18/2020

REV 04



Intertek
31690007



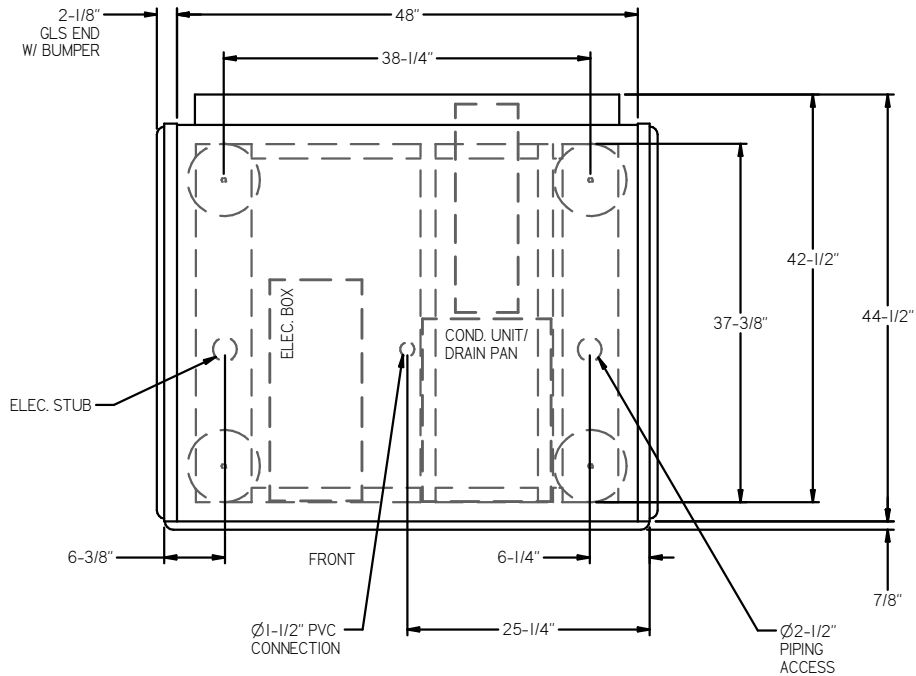
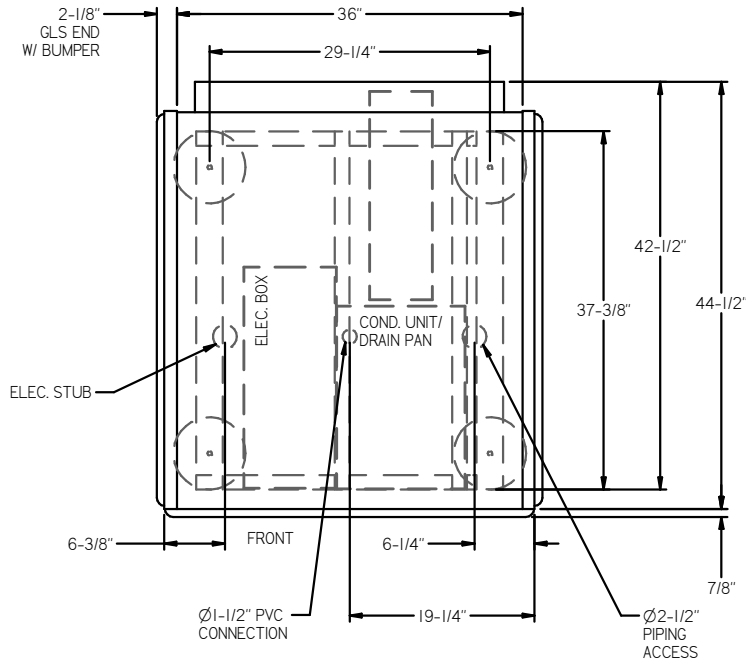
Intertek
31690007

ARNEG RESERVES THE RIGHT TO CHANGE OR REVISE SPECIFICATIONS AND PRODUCT DESIGN IN CONNECTION WITH ANY FEATURE OF ITS PRODUCTS. SUCH CHANGES DO NOT ENTITLE THE BUYER TO CORRESPONDING CHANGES, IMPROVEMENTS, ADDITIONS, OR REPLACEMENTS FOR EQUIPMENT PREVIOUSLY SOLD OR SHIPPED. CASE DESIGN CONDITION NOT TO EXCEED 75° F & 55% RH



USA

CLEMMONS SELF-CONTAINED



D2U00121

05/18/2020

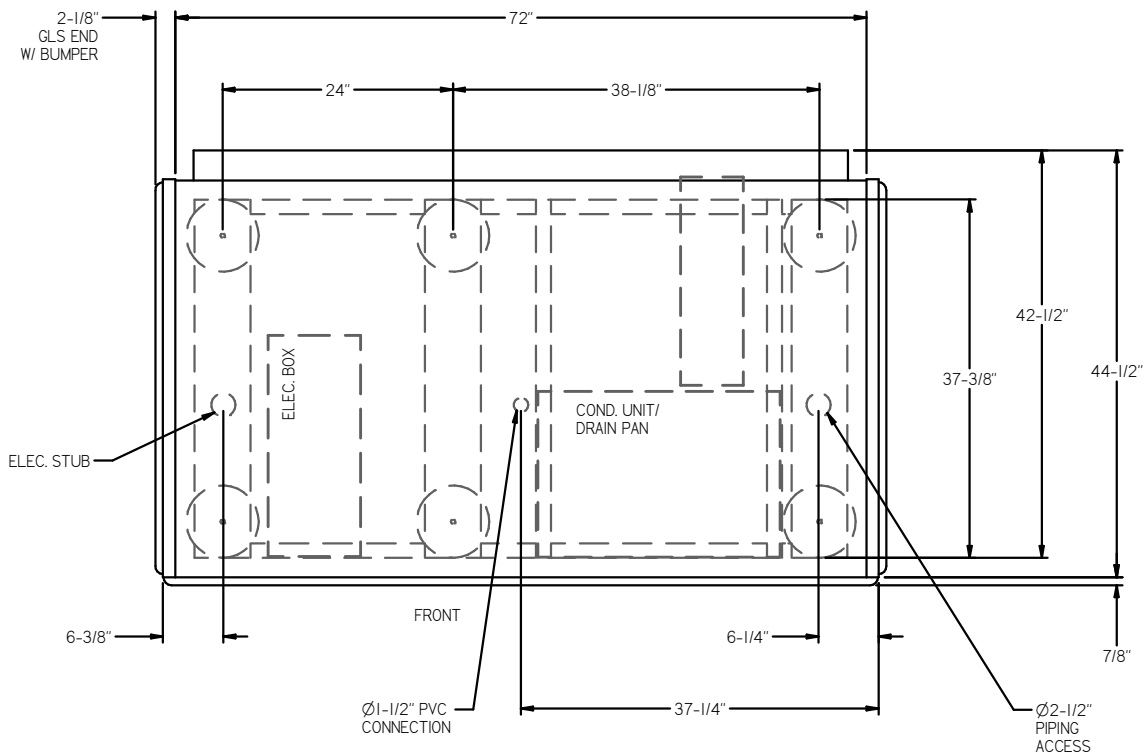
REV 04



ARNEG RESERVES THE RIGHT TO CHANGE OR REVISE SPECIFICATIONS AND PRODUCT DESIGN IN CONNECTION WITH ANY FEATURE OF ITS PRODUCTS. SUCH CHANGES DO NOT ENTITLE THE BUYER TO CORRESPONDING CHANGES, IMPROVEMENTS, ADDITIONS, OR REPLACEMENTS FOR EQUIPMENT PREVIOUSLY SOLD OR SHIPPED. CASE DESIGN CONDITION NOT TO EXCEED 75° F & 55% RH



USA



D2U00121

05/18/2020

REV 04



ARNEG RESERVES THE RIGHT TO CHANGE OR REVISE SPECIFICATIONS AND PRODUCT DESIGN IN CONNECTION WITH ANY FEATURE OF ITS PRODUCTS. SUCH CHANGES DO NOT ENTITLE THE BUYER TO CORRESPONDING CHANGES, IMPROVEMENTS, ADDITIONS, OR REPLACEMENTS FOR EQUIPMENT PREVIOUSLY SOLD OR SHIPPED. CASE DESIGN CONDITION NOT TO EXCEED 75° F & 55% RH



USA

Electrical Characteristics @120V

Case Model	Evaporator Fan Motor (Total)			Condenser Fan Motor (Total)			Arneg LED Lighting (Total)			Condensate Pan	
	Quantity	Amps	Watts	Quantity	Amps	Watts	Quantity	Amps	Watts	Amps	Watts
3ft	1	0.11	15	1	0.74	16	2	0.13	14	1.58	190
4ft	1	0.11	15	1	0.74	16	2	0.16	18	3.33	400
6ft	2	0.22	30	2	1.48	32	4	0.26	28	6.25	750

Compressor Characteristics @ +20/ +120°F (-6.7/ +48.9°C)

Case Model	Quantity	Volts	Frequency (Hz)	RLA (Amps)	Total Watts	Charge 449A (oz)	Model
3ft	1	120	60	4.94	459	40	NEU6210GK 120V/60Hz
4ft	1	120	60	6.3	573	48	NEU6212GK 120V/60Hz
6ft	1	120	60	9.12	938	72	NEU6220GK 120V/60Hz

Case Total Power (Refrigeration)

Case Model	Supply Voltage	Total Amps	Total Watts
3ft	120	7.5	694.0
4ft	120	10.7	1022.0
6ft	120	17.3	1778.0

Circuit Requirements

Case Model	Supply Voltage	Phase	HZ	Rated Amps	Minimum Circuit Ampacity (MCA)	Nema Plug Type	Cord Length (Ft)
3ft	120	1	60	7.5	9.1	5-15P	10
4ft	120	1	60	10.7	13.1	5-15P	10
6ft	120	1	60	17.3	21.2	L5-30P	10

Case Set points

Application	Controller Set Point (°F)	Discharge Air Velocity (FPM)
Medium Temperature	20	300

Defrost Settings

Application	Defrost Type	Defrost Cycles (Day)	Max Defrost (Min)	Termination Temperature (°F)	Drip Time (Min)
Medium Temperature	Off Cycle	6	30	45	0

NOTES

1. ArnegUSA refrigerated display cases for sale in the United States meet or exceed Department of Energy 2017 energy efficiency requirements.
2. Variations on Lighting brands may be available upon request and Engineering review.
3. Average Discharge Air Velocity measured five minutes after defrost.
4. Amps are taken from electrical nameplate values, watts are actual recorded values from laboratory measurements.
5. When using high glide refrigerants please use the refrigerant manufacturers instructions for measuring superheat.
6. Temperature and defrost settings listed above are recommended start up settings. Final operational settings may need to be adjusted based on store conditions.

D2U0012I

05/18/2020

REV 04



ARNEG RESERVES THE RIGHT TO CHANGE OR REVISE SPECIFICATIONS AND PRODUCT DESIGN IN CONNECTION WITH ANY FEATURE OF ITS PRODUCTS. SUCH CHANGES DO NOT ENTITLE THE BUYER TO CORRESPONDING CHANGES, IMPROVEMENTS, ADDITIONS, OR REPLACEMENTS FOR EQUIPMENT PREVIOUSLY SOLD OR SHIPPED. CASE DESIGN CONDITION NOT TO EXCEED 75° F & 55% RH