

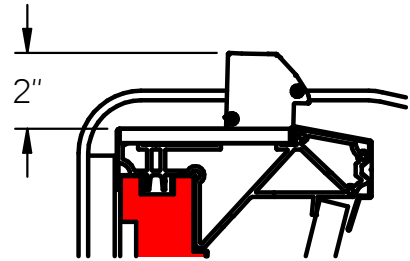


USA

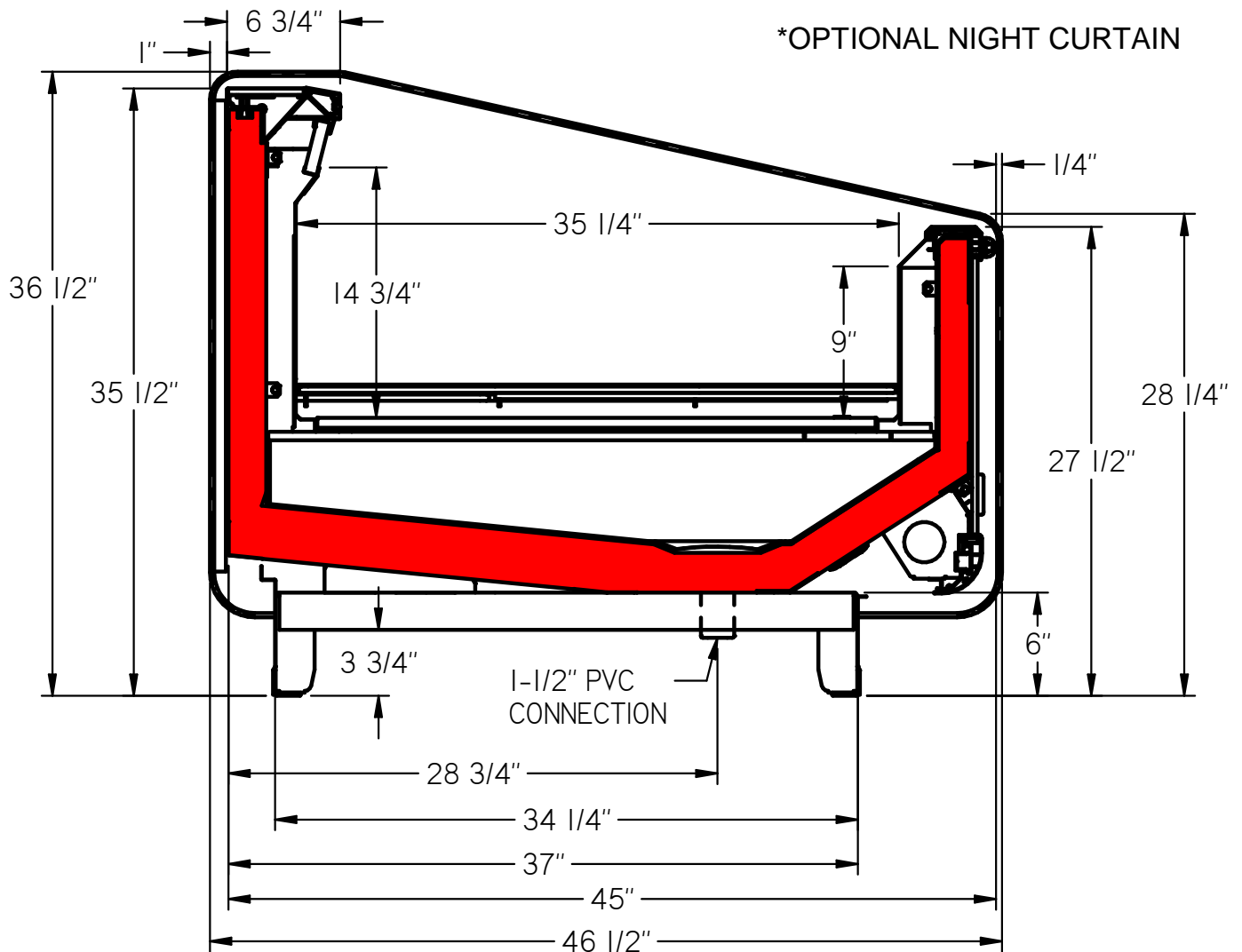
LEXINGTON

PAGE 1

SHORT LEG WITHOUT LIGHTS



*OPTIONAL NIGHT CURTAIN



LEXINGTON

08/11/2020

REV 03



Intertek
31690007



Intertek
31690007

ARNEG RESERVES THE RIGHT TO CHANGE OR REVISE SPECIFICATIONS AND PRODUCT DESIGN IN CONNECTION WITH ANY FEATURE OF ITS PRODUCTS. SUCH CHANGES DO NOT ENTITLE THE BUYER TO CORRESPONDING CHANGES, IMPROVEMENTS, ADDITIONS, OR REPLACEMENTS FOR EQUIPMENT PREVIOUSLY SOLD OR SHIPPED. CASE DESIGN CONDITION NOT TO EXCEED 75° F & 55% RH

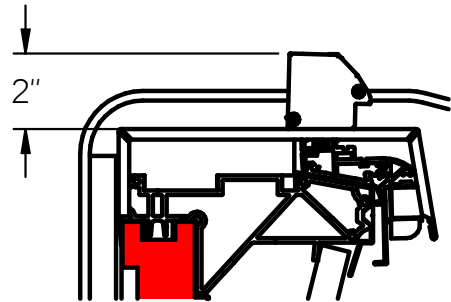


USA

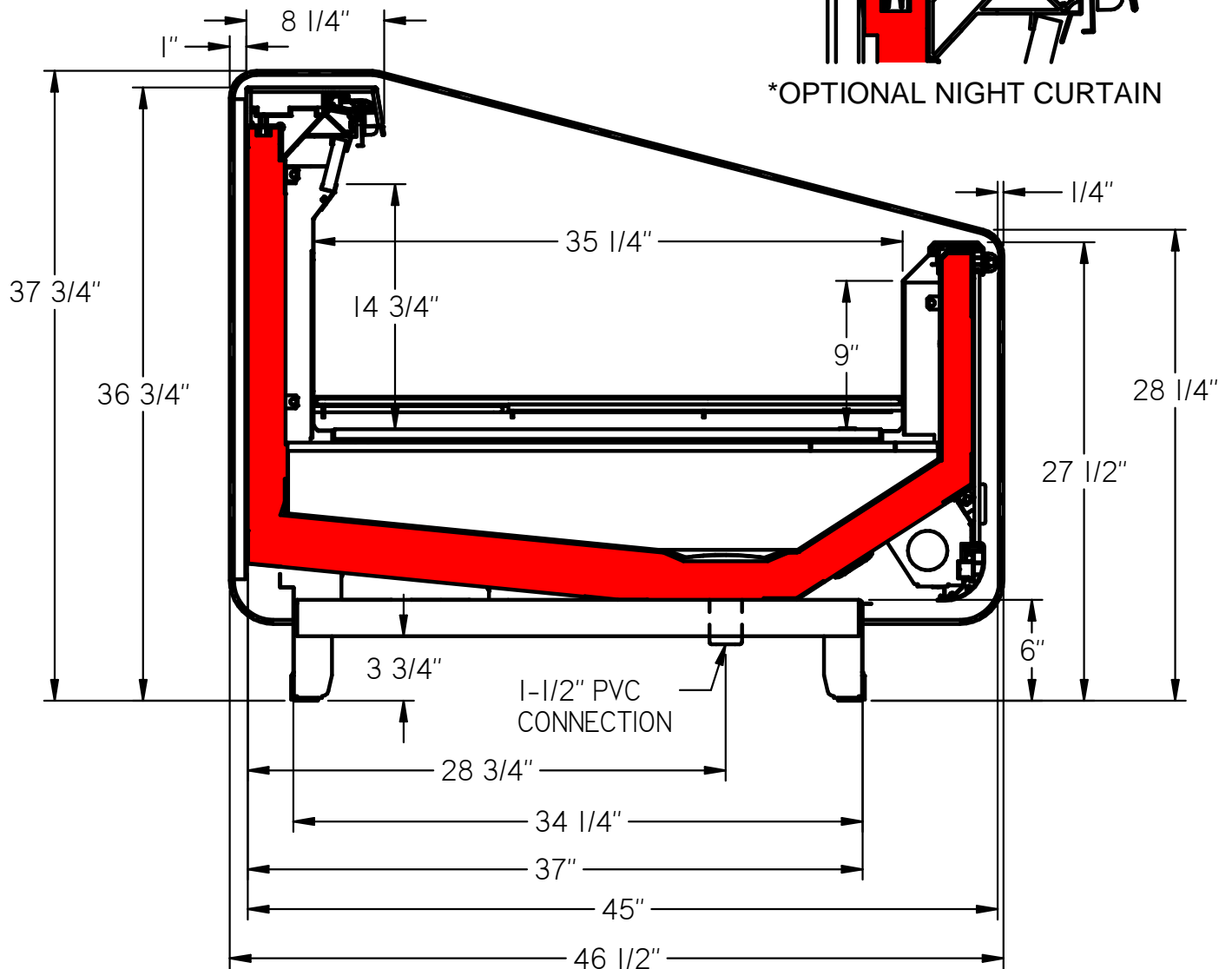
LEXINGTON

PAGE 2

SHORT LEG WITH LIGHTS



*OPTIONAL NIGHT CURTAIN



LEXINGTON

08/11/2020

REV 03



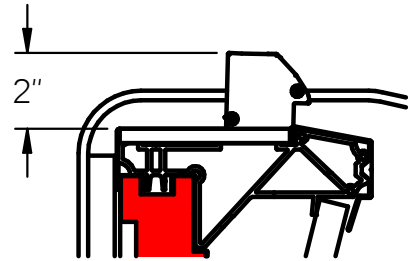
Intertek
31690007



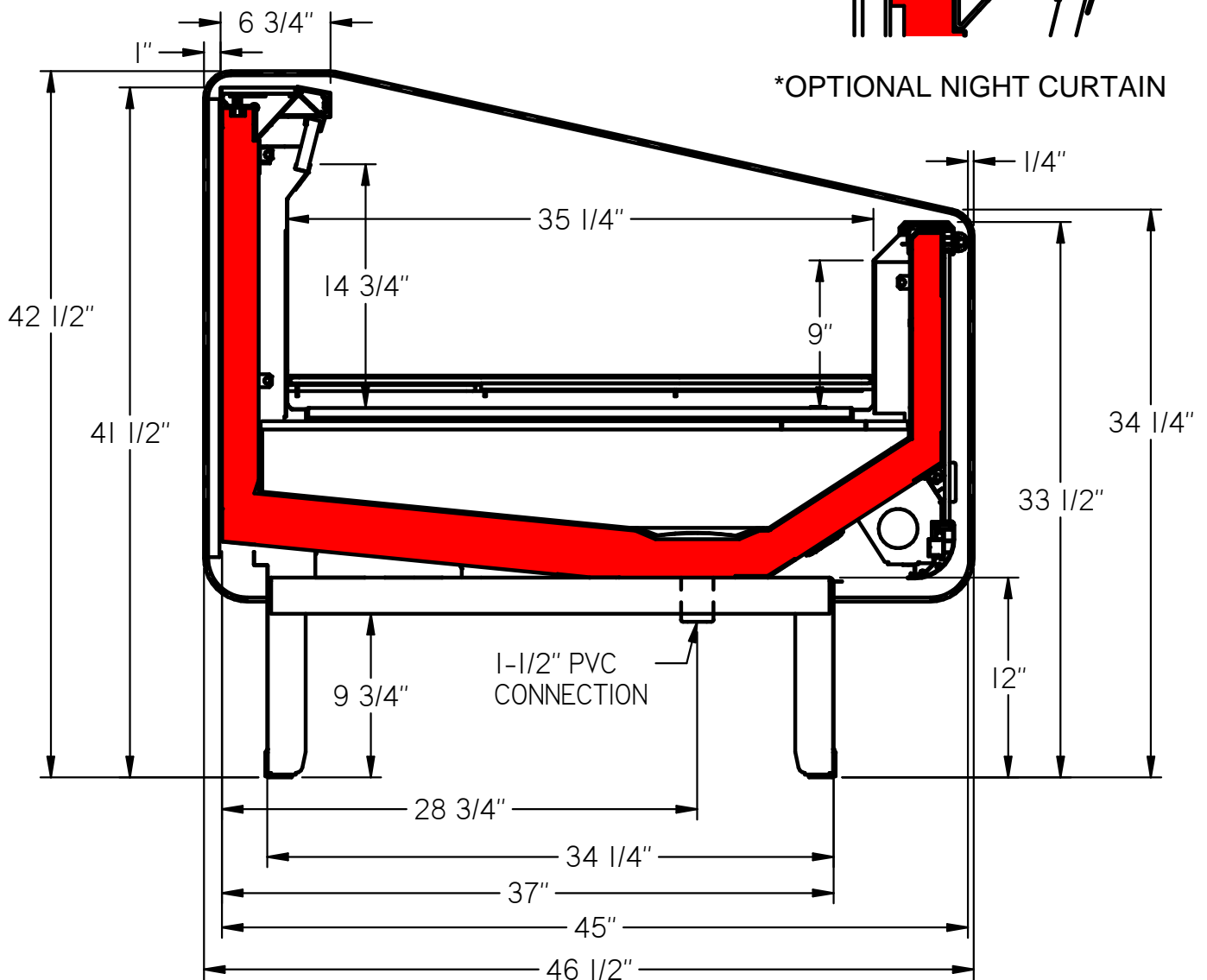
Intertek
31690007

ARNEG RESERVES THE RIGHT TO CHANGE OR REVISE SPECIFICATIONS AND PRODUCT DESIGN IN CONNECTION WITH ANY FEATURE OF ITS PRODUCTS. SUCH CHANGES DO NOT ENTITLE THE BUYER TO CORRESPONDING CHANGES, IMPROVEMENTS, ADDITIONS, OR REPLACEMENTS FOR EQUIPMENT PREVIOUSLY SOLD OR SHIPPED. CASE DESIGN CONDITION NOT TO EXCEED 75° F & 55% RH

TALL LEG WITHOUT LIGHTS



*OPTIONAL NIGHT CURTAIN



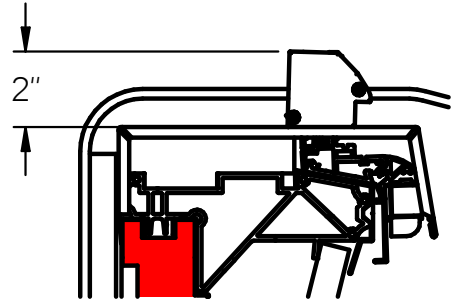
Intertek
31690007



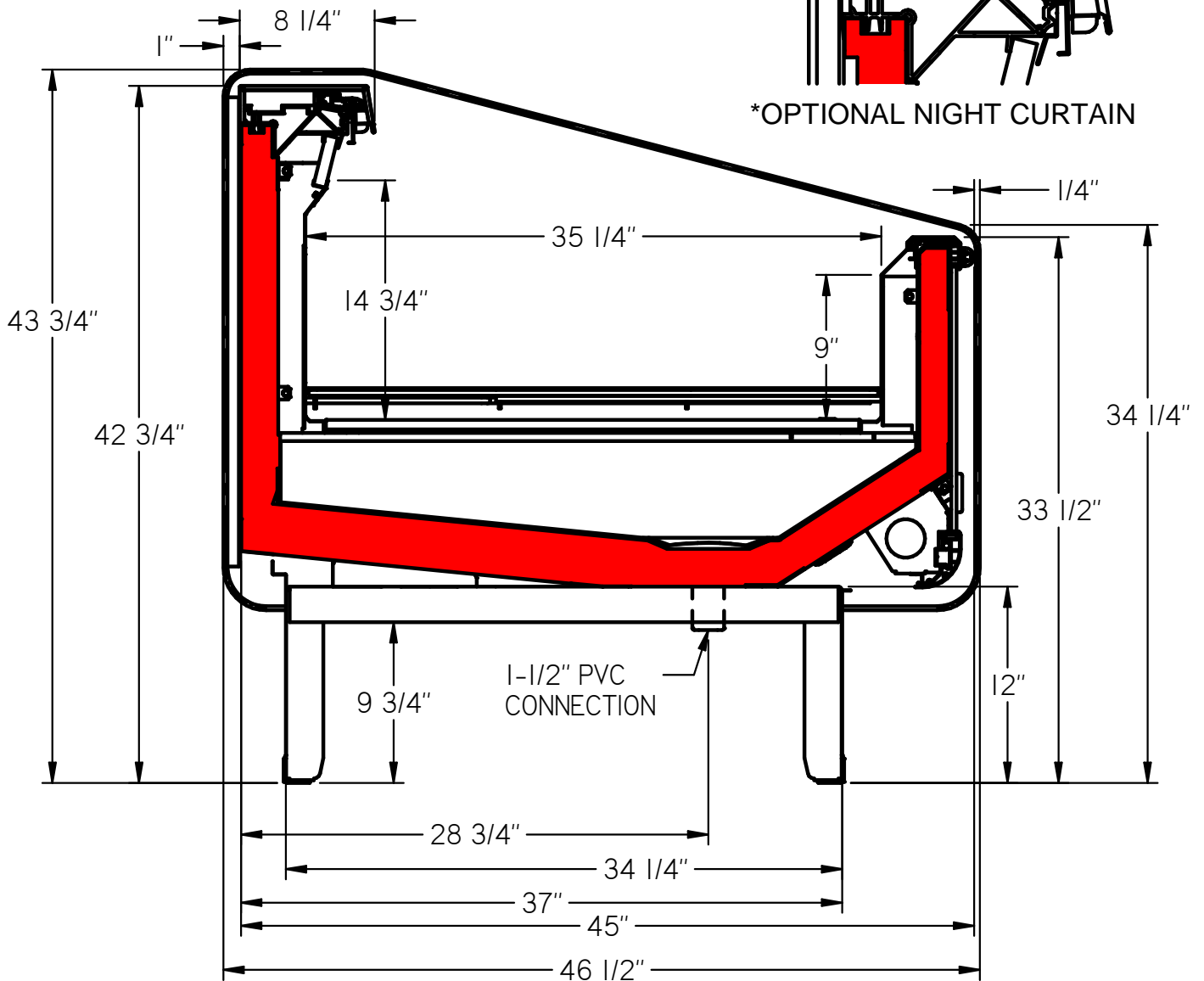
Intertek
31690007

ARNEG RESERVES THE RIGHT TO CHANGE OR REVISE SPECIFICATIONS AND PRODUCT DESIGN IN CONNECTION WITH ANY FEATURE OF ITS PRODUCTS. SUCH CHANGES DO NOT ENTITLE THE BUYER TO CORRESPONDING CHANGES, IMPROVEMENTS, ADDITIONS, OR REPLACEMENTS FOR EQUIPMENT PREVIOUSLY SOLD OR SHIPPED. CASE DESIGN CONDITION NOT TO EXCEED 75° F & 55% RH

TALL LEG WITH LIGHTS



*OPTIONAL NIGHT CURTAIN



Intertek
31690007



Intertek
31690007

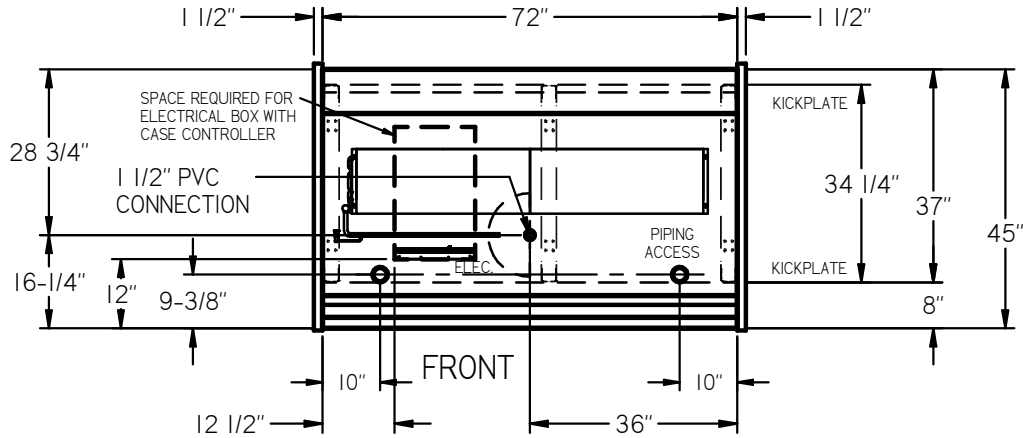
ARNEG RESERVES THE RIGHT TO CHANGE OR REVISE SPECIFICATIONS AND PRODUCT DESIGN IN CONNECTION WITH ANY FEATURE OF ITS PRODUCTS. SUCH CHANGES DO NOT ENTITLE THE BUYER TO CORRESPONDING CHANGES, IMPROVEMENTS, ADDITIONS, OR REPLACEMENTS FOR EQUIPMENT PREVIOUSLY SOLD OR SHIPPED. CASE DESIGN CONDITION NOT TO EXCEED 75° F & 55% RH



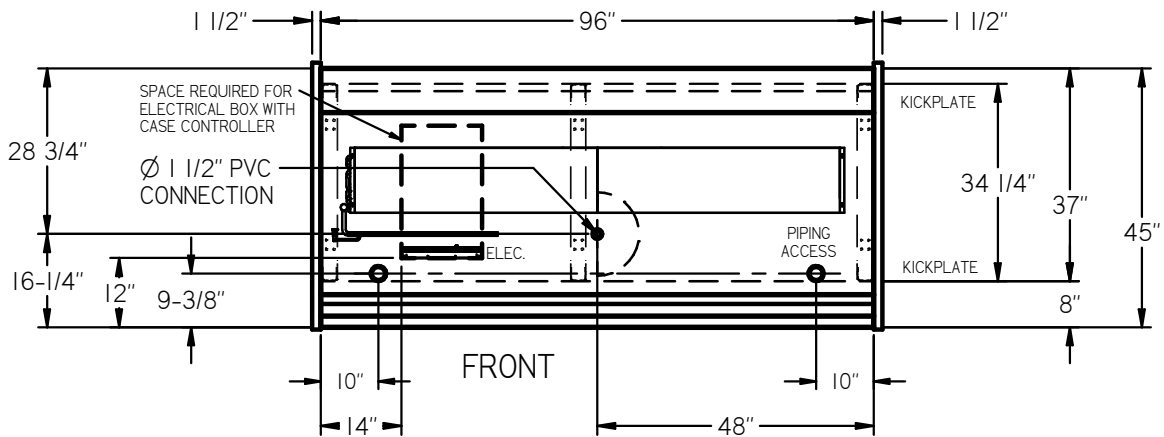
USA

LEXINGTON

PAGE 5



6FT CABINET



8FT CABINET

LEXINGTON

08/11/2020

REV 03



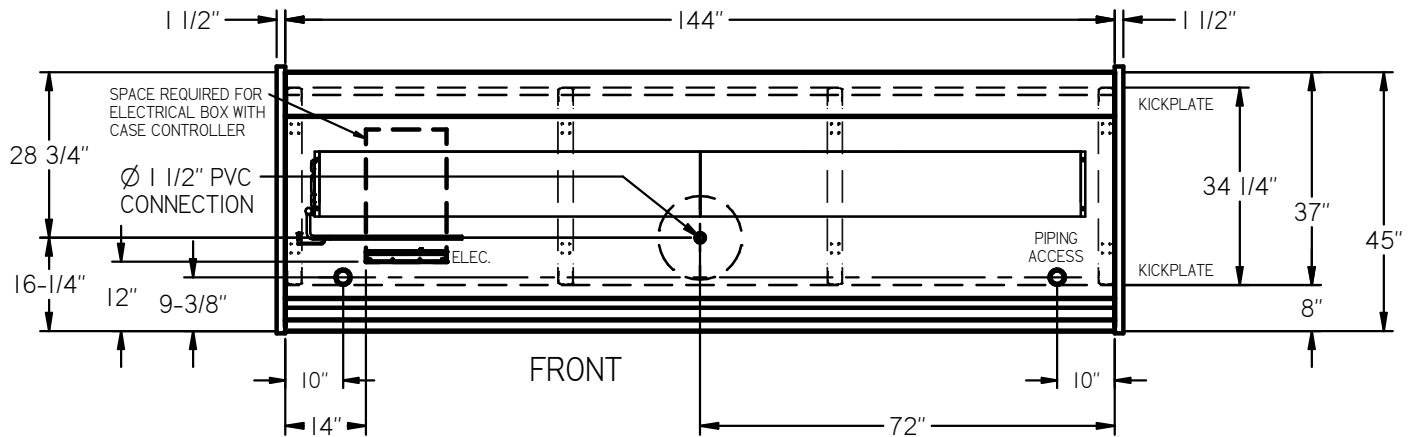
ARNEG RESERVES THE RIGHT TO CHANGE OR REVISE SPECIFICATIONS AND PRODUCT DESIGN IN CONNECTION WITH ANY FEATURE OF ITS PRODUCTS. SUCH CHANGES DO NOT ENTITLE THE BUYER TO CORRESPONDING CHANGES, IMPROVEMENTS, ADDITIONS, OR REPLACEMENTS FOR EQUIPMENT PREVIOUSLY SOLD OR SHIPPED. CASE DESIGN CONDITION NOT TO EXCEED 75° F & 55% RH



USA

LEXINGTON

PAGE 6



12FT CABINET

LEXINGTON

08/11/2020

REV 03



Intertek
31690007



Intertek
31690007

ARNEG RESERVES THE RIGHT TO CHANGE OR REVISE SPECIFICATIONS AND PRODUCT DESIGN IN CONNECTION WITH ANY FEATURE OF ITS PRODUCTS. SUCH CHANGES DO NOT ENTITLE THE BUYER TO CORRESPONDING CHANGES, IMPROVEMENTS, ADDITIONS, OR REPLACEMENTS FOR EQUIPMENT PREVIOUSLY SOLD OR SHIPPED. CASE DESIGN CONDITION NOT TO EXCEED 75° F & 55% RH



USA

LEXINGTON

PAGE 7

Electrical Characteristics @ 120V

Case Length	Fan Quantity	High-Efficiency Fans (ECM)		Anti-Condensate Heaters		Arneg LED Lighting	
		Amps	Watts	Amps	Watts	Amps	Watts
6'	2	0.22	5	0.31	37.5	0.13	16
8'	2	0.22	5	0.42	50	0.17	20
12'	3	0.33	7.5	0.63	75	0.25	30

Refrigeration Characteristics

Application	Capacity (BTUH/Ft)		SST (°F)	SuperHeat (°F)	Discharge Air (°F)	Discharge Air Velocity (FPM)
	Parallel	Conv.				
Medium	430	490	23	6-8	27	275

Defrost Settings (Direct Expansion)

Defrost Type	Defrosts (Day)	Fail Safe (Min.)	Termination Temperature (°F)	Drip Time (Min)
Off Cycle	4	45	42°F	0

NOTES

1. ArnegUSA refrigerated display cases for sale in the United States meet or exceed Department of Energy 2017 energy efficiency requirements.
2. Add 13 BTUH/ Ft per row of LED canopy lighting.
3. Variations on Lighting brands may be available upon request and Engineering review.
4. Recommended Settings for Conventional Discharge Air Control: Cut-In Temp = Field Discharge Air +2°F, Cut-Out Temp = Field Discharge Air -2°F.
5. Average Discharge Air Velocity measured five minutes after defrost.
6. Amps are taken from electrical nameplate values, watts are actual recorded values from laboratory measurements.
7. When using high glide refrigerants please use the refrigerant manufacturers instructions for measuring superheat.
8. Temperature and defrost settings listed above are recommended start up settings. Final operational settings may need to be adjusted based on store conditions.

LEXINGTON

08/11/2020

REV 03



Intertek
31690007



Intertek
31690007

ARNEG RESERVES THE RIGHT TO CHANGE OR REVISE SPECIFICATIONS AND PRODUCT DESIGN IN CONNECTION WITH ANY FEATURE OF ITS PRODUCTS. SUCH CHANGES DO NOT ENTITLE THE BUYER TO CORRESPONDING CHANGES, IMPROVEMENTS, ADDITIONS, OR REPLACEMENTS FOR EQUIPMENT PREVIOUSLY SOLD OR SHIPPED. CASE DESIGN CONDITION NOT TO EXCEED 75° F & 55% RH