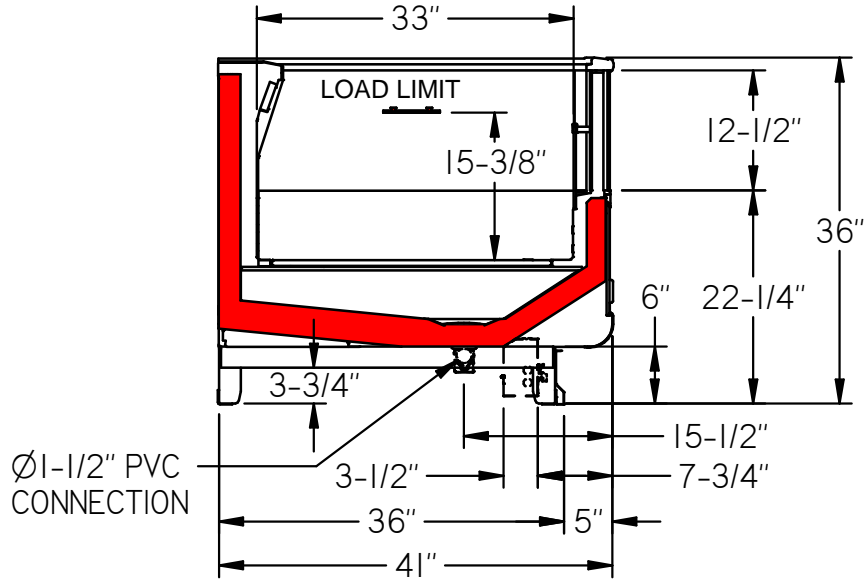
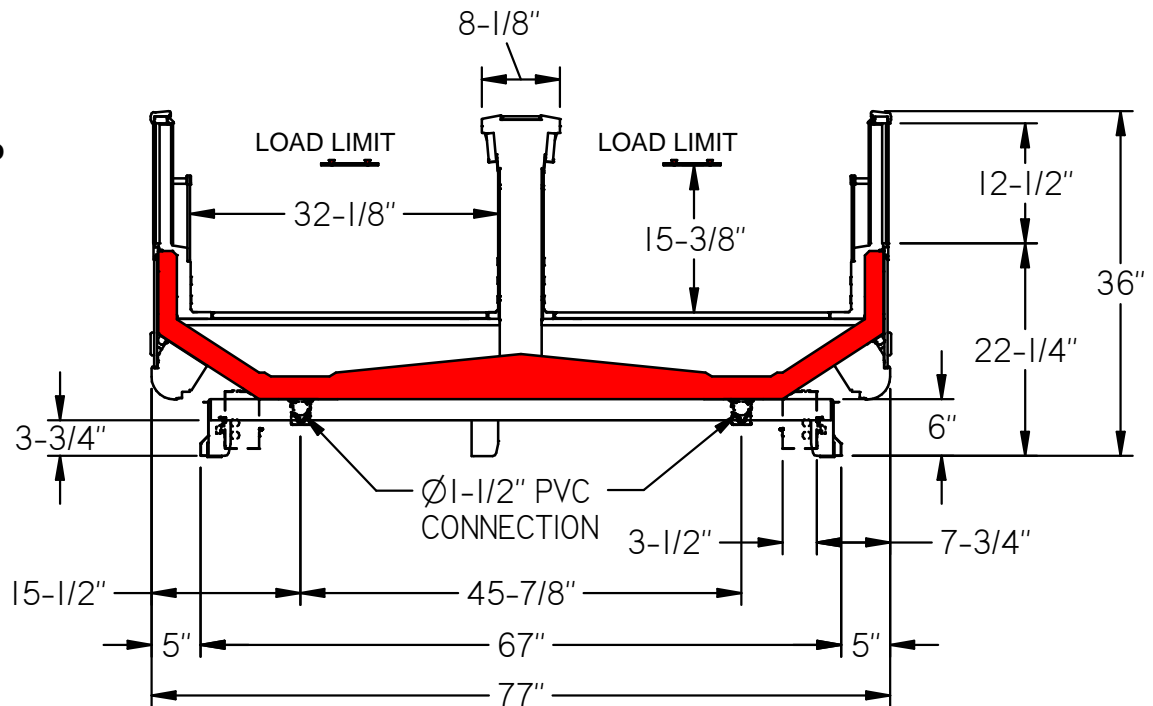
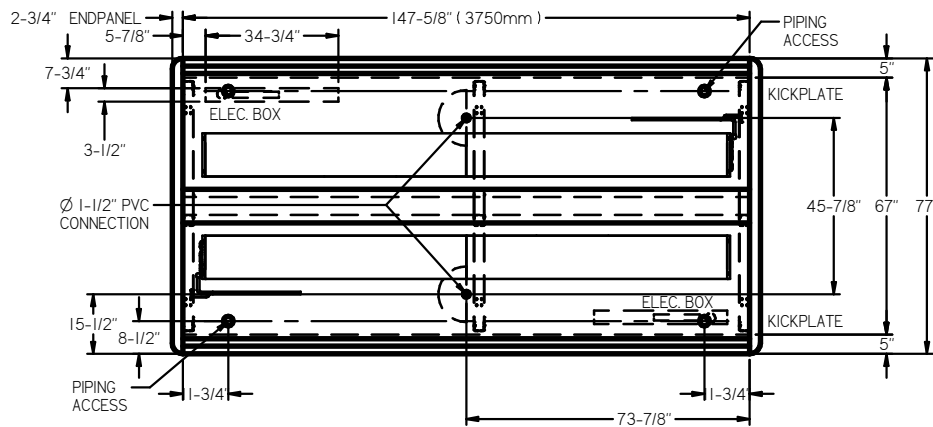
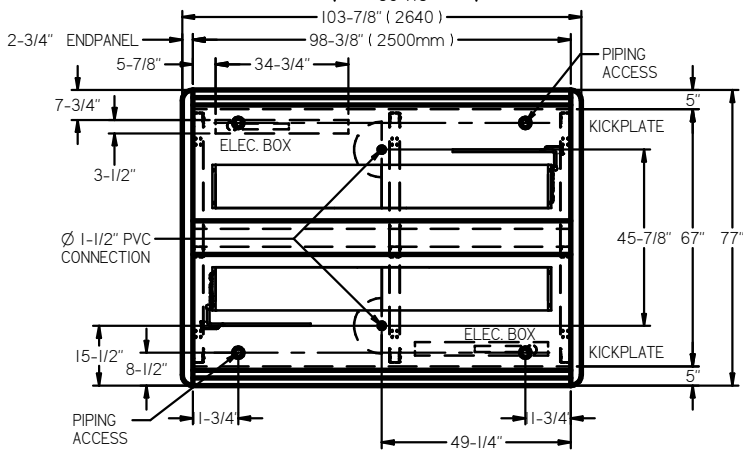
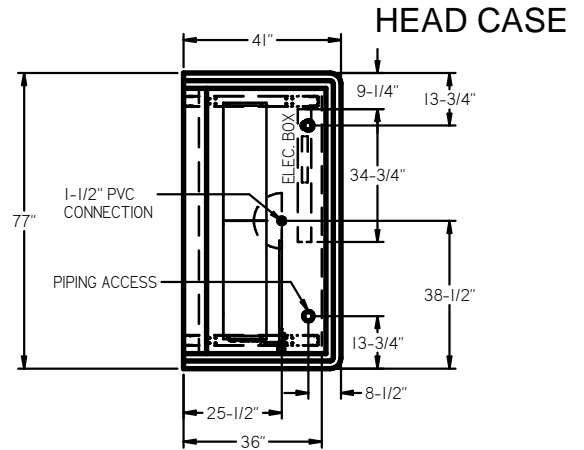
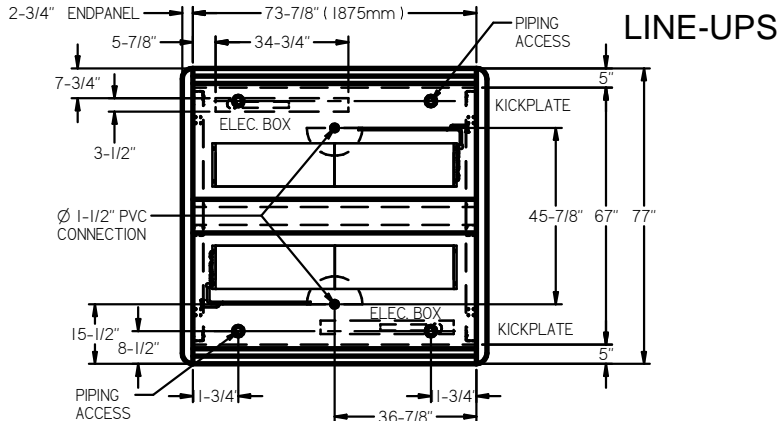


HEAD CASE



LINE-UP





PIPING CONNECTIONS:

- STANDARD DX - SUCTION LINE = Ø 5/8", LIQUID LINE = Ø 3/8"
- CO2 - SUCTION LINE = Ø 1/2", LIQUID LINE = Ø 3/8"

D2U00058

07/01/2020

REV 02



Intertek
31690007



Intertek
31690007

ARNEG RESERVES THE RIGHT TO CHANGE OR REVISE SPECIFICATIONS AND PRODUCT DESIGN IN CONNECTION WITH ANY FEATURE OF ITS PRODUCTS. SUCH CHANGES DO NOT ENTITLE THE BUYER TO CORRESPONDING CHANGES, IMPROVEMENTS, ADDITIONS, OR REPLACEMENTS FOR EQUIPMENT PREVIOUSLY SOLD OR SHIPPED. CASE DESIGN CONDITION NOT TO EXCEED 75° F & 55% RH



USA

MALMOE G3

PAGE 3

| Lighting Characteristics @ 120V | | |
|---------------------------------|------------------------------|-------|
| Case Length | Arneg LED Lighting (Per Row) | |
| | Shelving | |
| | Amps | Watts |
| Head | N/A | N/A |
| 6.15 Ft /1875 mm | 0.13 | 15 |
| 8.2 Ft /2500 mm | 0.16 | 20 |
| 12.3 Ft /3750 mm | 0.24 | 30 |

| Electrical Characteristics @ 120V | | | | | | | |
|-----------------------------------|--------------|----------------------------|-------|-------------------------|--------|---------------------------------------|-------|
| Case Length | Fan Quantity | High-Efficiency Fans (ECM) | | Anti-Condensate Heaters | | Anti-Condensate Heaters Per Glass End | |
| | | Amps | Watts | Amps | Watts | Amps | Watts |
| Head | 2 | 0.6 | 2.75 | 0.96 | 115 | N/A | N/A |
| 6.15 Ft /1875 mm | 4 | 1.2 | 5.5 | 1.26 | 151.4 | 0.3 | 36.31 |
| 8.2 Ft /2500 mm | 4 | 1.2 | 5.5 | 1.65 | 197.46 | 0.3 | 36.31 |
| 12.3 Ft /3750 mm | 6 | 1.8 | 8.25 | 2.38 | 285.1 | 0.3 | 36.31 |

| Defrost Heater Electrical Characteristics @ 208V | | | | |
|--|---------------------------|-------|------------------------|-------|
| Case Length | Coil Heater (Medium Temp) | | Coil Heater (Low Temp) | |
| | Amps | Watts | Amps | Watts |
| Head | 2.28 | 389 | 6.84 | 1167 |
| 6.15 Ft /1875 mm | 4.56 | 778 | 13.68 | 2334 |
| 8.2 Ft /2500 mm | 6.25 | 1066 | 18.75 | 3198 |
| 12.3 Ft /3750 mm | 9.61 | 1635 | 28.83 | 4908 |

| Refrigeration Characteristics | | | | | | |
|-------------------------------|----------|-------|----------|----------------|--------------------|------------------------------|
| Application | BTUH/Ft | | SST (°F) | SuperHeat (°F) | Discharge Air (°F) | Discharge Air Velocity (FPM) |
| | Parallel | Conv. | | | | |
| Medium | 450 | 460 | 18 | 6-8 | 24 | 175 |
| Frozen | 630 | 645 | -23 | 4-6 | -14 | 175 |
| Ice Cream | 680 | 695 | -30 | 4-6 | -21 | 175 |

| Head Refrigeration Characteristics | | | | | | |
|------------------------------------|------------|-------|----------|----------------|--------------------|------------------------------|
| Application | Total BTUH | | SST (°F) | SuperHeat (°F) | Discharge Air (°F) | Discharge Air Velocity (FPM) |
| | Parallel | Conv. | | | | |
| Medium | 1700 | 1755 | 18 | 6-8 | 24 | 175 |
| Frozen | 2635 | 2580 | -23 | 4-6 | -14 | 175 |
| Ice Cream | 2805 | 2740 | -30 | 4-6 | -21 | 175 |

| Defrost Settings | | | | |
|------------------|----------------|------------------|------------------------------|-----------------|
| Defrost Type | Defrosts (Day) | Fail Safe (Min.) | Termination Temperature (°F) | Drip Time (Min) |
| Off Cycle | N/A | N/A | N/A | N/A |
| Electric | 1 | 50 | 50°F | 0 |
| Hot Gas | 1 | 20 | 50°F | 15 |

- NOTES
1. ArnegUSA refrigerated display cases for sale in the United States meet or exceed Department of Energy 2017 energy efficiency requirements.
 2. Variations on Lighting brands may be available upon request and Engineering review.
 3. Recommended Settings for Conventional Discharge Air Control: Cut-In Temp = Field Discharge Air +2°F, Cut-Out Temp = Field Discharge Air -2°F.
 4. Average Discharge Air Velocity measured five minutes after defrost.
 5. Refrigeration and electrical data includes both sides of the case.
 6. Amps are taken from electrical nameplate values, watts are actual recorded values from laboratory measurements.
 7. When using high glide refrigerants please use the refrigerant manufacturers instructions for measuring superheat.
 8. Temperature and defrost settings listed above are recommended start up settings. Final operational settings may need to be adjusted based on store conditions.

D2U00058

07/01/2020

REV 02



ARNEG RESERVES THE RIGHT TO CHANGE OR REVISE SPECIFICATIONS AND PRODUCT DESIGN IN CONNECTION WITH ANY FEATURE OF ITS PRODUCTS. SUCH CHANGES DO NOT ENTITLE THE BUYER TO CORRESPONDING CHANGES, IMPROVEMENTS, ADDITIONS, OR REPLACEMENTS FOR EQUIPMENT PREVIOUSLY SOLD OR SHIPPED. CASE DESIGN CONDITION NOT TO EXCEED 75° F & 55% RH