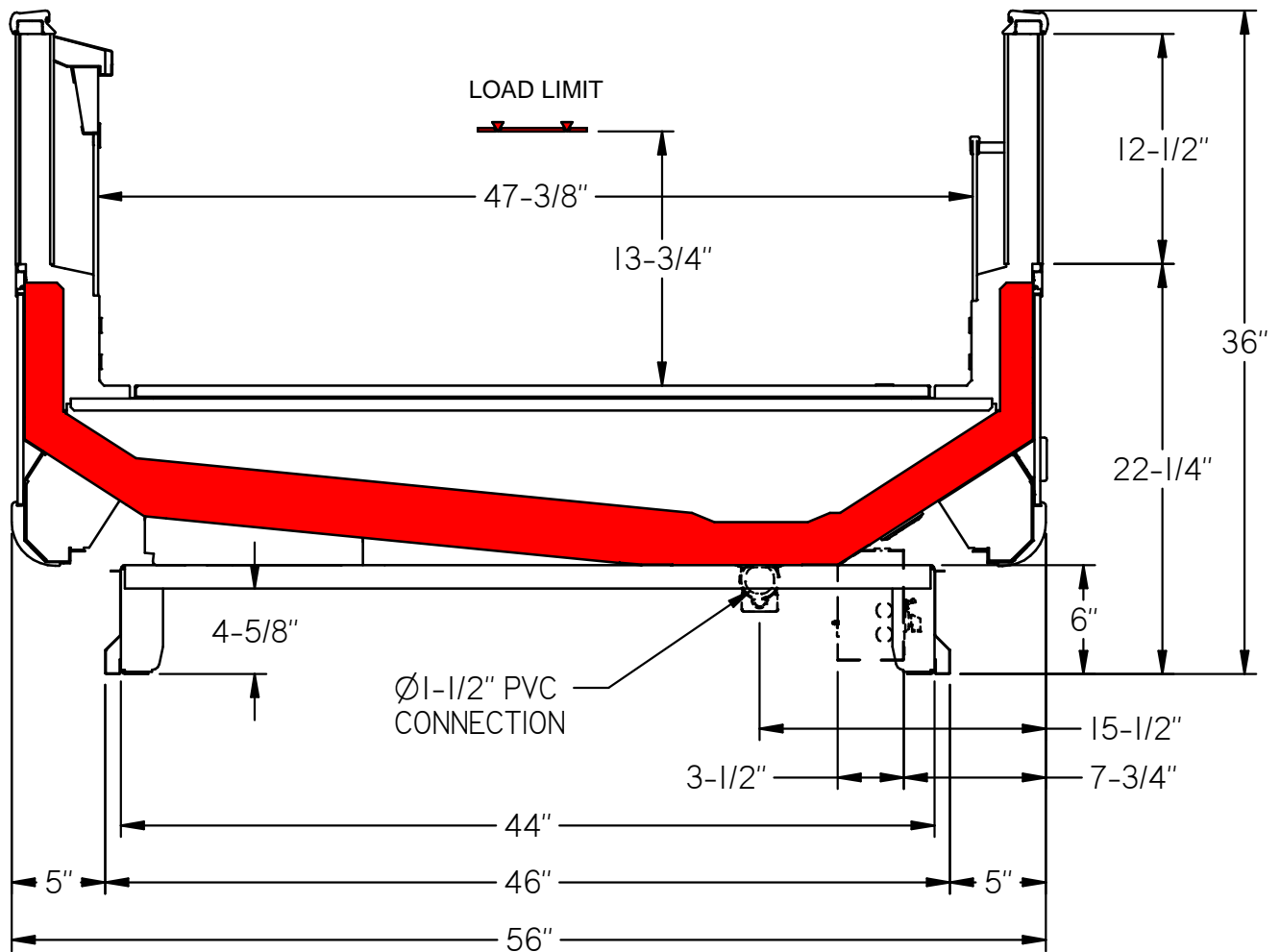




USA

SUPER BILBAO G3

PAGE 1



D2U00078

05/18/2020

REV 01

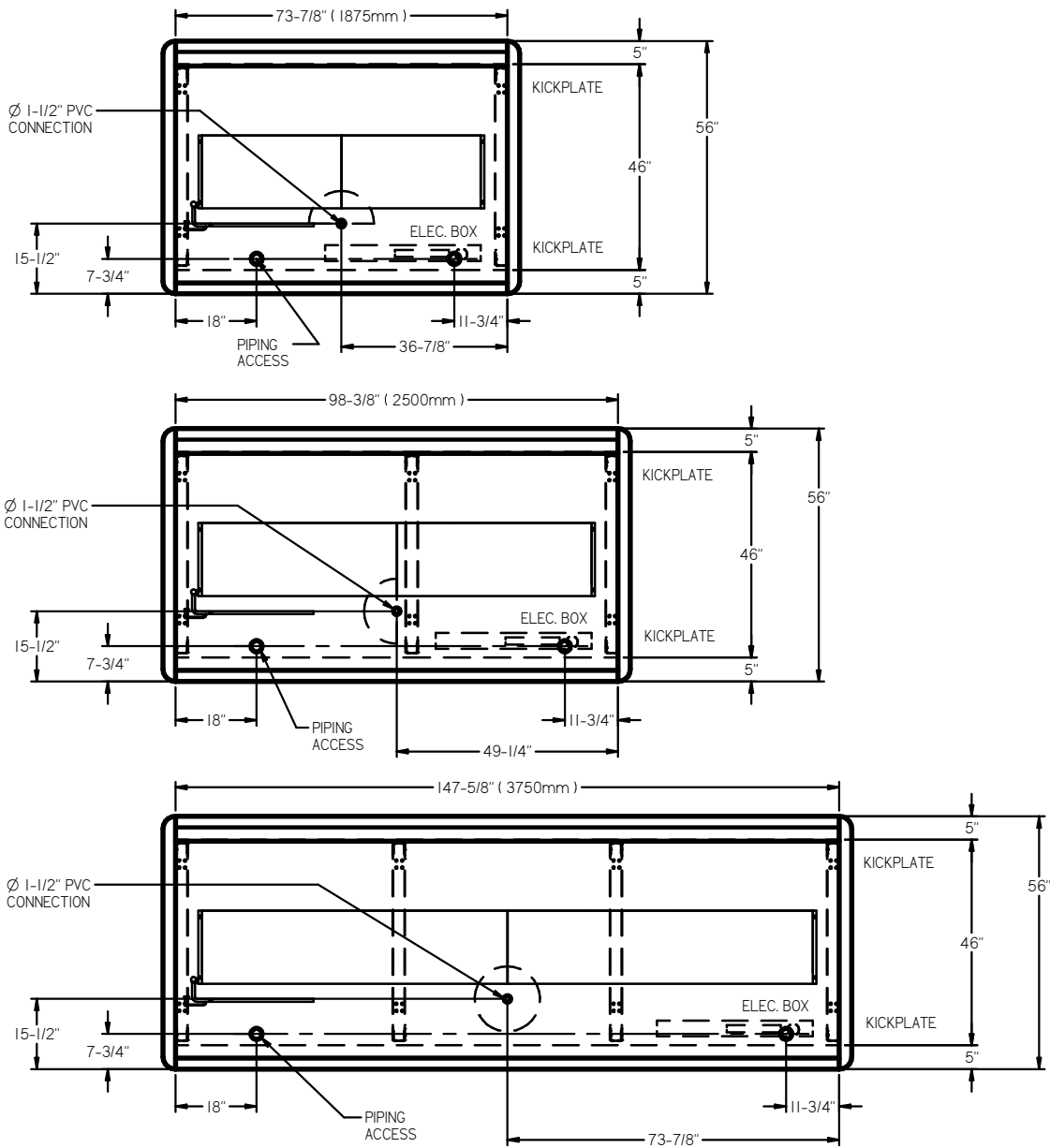


Intertek  
31690007



Intertek  
31690007

ARNEG RESERVES THE RIGHT TO CHANGE OR REVISE SPECIFICATIONS AND PRODUCT DESIGN IN CONNECTION WITH ANY FEATURE OF ITS PRODUCTS. SUCH CHANGES DO NOT ENTITLE THE BUYER TO CORRESPONDING CHANGES, IMPROVEMENTS, ADDITIONS, OR REPLACEMENTS FOR EQUIPMENT PREVIOUSLY SOLD OR SHIPPED. CASE DESIGN CONDITION NOT TO EXCEED 75° F & 55% RH



**PIPING CONNECTIONS:**

- STANDARD DX - SUCTION LINE = Ø 5/8", LIQUID LINE = Ø 3/8"
- CO2 - SUCTION LINE = Ø 1/2", LIQUID LINE = Ø 3/8"

D2U00078

05/18/2020

REV 01



**Intertek**  
31690007



**Intertek**  
31690007

ARNEG RESERVES THE RIGHT TO CHANGE OR REVISE SPECIFICATIONS AND PRODUCT DESIGN IN CONNECTION WITH ANY FEATURE OF ITS PRODUCTS. SUCH CHANGES DO NOT ENTITLE THE BUYER TO CORRESPONDING CHANGES, IMPROVEMENTS, ADDITIONS, OR REPLACEMENTS FOR EQUIPMENT PREVIOUSLY SOLD OR SHIPPED. CASE DESIGN CONDITION NOT TO EXCEED 75° F & 55% RH



USA

**Electrical Characteristics @ 120V**

Case Length	Fan Quantity	High-Efficiency Fans (ECM)		Anti-Condensate Heaters (Med Temp)		Anti-Condensate Heaters (Low Temp)		Anti-Condensate Heaters Per Glass End (Low Temp)	
		Amps	Watts	Amps	Watts	Amps	Watts	Amps	Watts
6.15 Ft /1875 mm	2	0.6	5	0.23	27.87	1.01	122.07	0.23	28.78
8.2 Ft /2500 mm	2	0.6	5	0.31	37.28	1.31	158.38	0.23	28.78
12.3 Ft /3750 mm	3	0.9	7.5	0.46	56.11	1.89	226.81	0.23	28.78

**Defrost Heater Electrical Characteristics @ 208V**

Case Length	Coil Heater (Medium Temp)		Coil Heater (Low Temp)		Drain Heater (Low Temp)	
	Amps	Watts	Amps	Watts	Amps	Watts
6.15 Ft /1875 mm	3.31	564	9.95	1692	1.05	180
8.2 Ft /2500 mm	4.42	752	13.26	2256	1.44	244
12.3 Ft /3750 mm	6.73	1145	20.19	3435	2.16	368

**Refrigeration Characteristics**

Application	BTUH/Ft		SST (°F)	SuperHeat (°F)	Discharge Air (°F)	Discharge Air Velocity (FPM)
	Parallel	Conv.				
Medium	370	380	21	6-8	26	250
Frozen	560	580	-24	4-6	-15	250
Ice Cream	590	610	-30	4-6	-20	250

**Defrost Settings**

Defrost Type	Defrosts (Day)	Fail Safe (Min.)	Termination Temperature (°F)	Drip Time (Min)
Off Cycle	N/A	N/A	N/A	N/A
Electric	2	40	50°F	0
Hot Gas	2	20	50°F	15

**NOTES**

1. ArnegUSA refrigerated display cases for sale in the United States meet or exceed Department of Energy 2017 energy efficiency requirements.
2. Variations on Lighting brands may be available upon request and Engineering review.
3. Recommended Settings for Conventional Discharge Air Control: Cut-In Temp = Field Discharge Air +2°F, Cut-Out Temp = Field Discharge Air -2°F.
4. Average Discharge Air Velocity measured five minutes after defrost.
5. Amps are taken from electrical nameplate values, watts are actual recorded values from laboratory measurements.
6. When using high glide refrigerants please use the refrigerant manufacturers instructions for measuring superheat.
7. Temperature and defrost settings listed above are recommended start up settings. Final operational settings may need to be adjusted based on store conditions.

D2U00078

05/18/2020

REV 01



ARNEG RESERVES THE RIGHT TO CHANGE OR REVISE SPECIFICATIONS AND PRODUCT DESIGN IN CONNECTION WITH ANY FEATURE OF ITS PRODUCTS. SUCH CHANGES DO NOT ENTITLE THE BUYER TO CORRESPONDING CHANGES, IMPROVEMENTS, ADDITIONS, OR REPLACEMENTS FOR EQUIPMENT PREVIOUSLY SOLD OR SHIPPED. CASE DESIGN CONDITION NOT TO EXCEED 75° F & 55% RH